

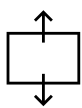
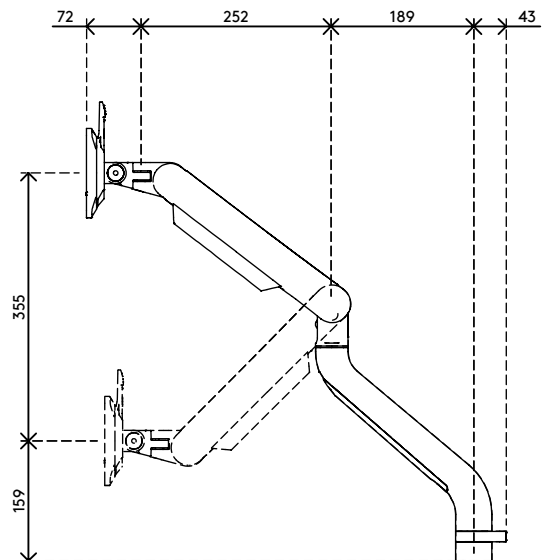
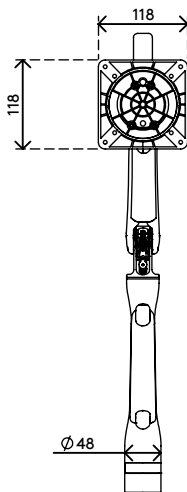
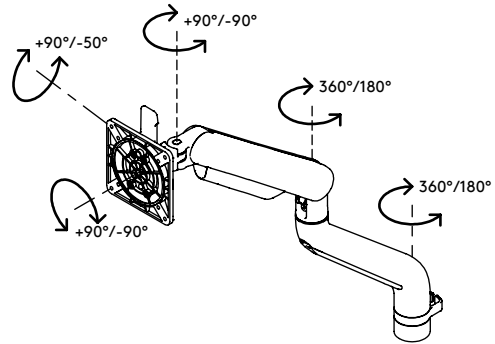
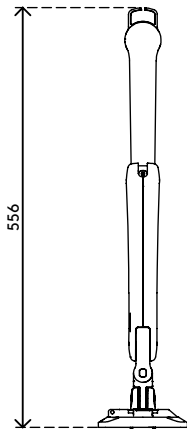
65.113

## Viewprime plus monitor arm – desk 113

Ideal for hot desking work environments, offering superior usability. The high-end gas spring allows for fingertip dynamic height adjustment and its precision engineered joints for smooth operation when adjusting the monitor depth. The wide depth adjustment range makes this arm suitable for both, shallow and deep desks. A full feature monitor arm with award winning design.

- Dynamic height adjustment range of 355 mm (14,0")
- Independent depth adjustment of 516 mm (20,3")
- Capable of portrait and landscape orientation ( $\pm 90^\circ$  VESA rotation)
- Built-in gas spring
- Tension adjustment indicator for fast and precise installation
- Integrated cable management
- Quick release included
- VESA MIS-D 75 x 75/100 x 100 mm compatible
- Monitor: tilt  $+90^\circ/-50^\circ$ , swivel  $\pm 90^\circ$ , rotate  $\pm 90^\circ$
- Arm: swivel  $360^\circ$ , limit can be set to  $180^\circ$
- Weight capacity 1,5 - 9 kg (3,3 - 19,8lb.)
- Monitor size limit: height 1034 mm
- Desk mount not included, various options available: 65.813, 65.913, 65.933

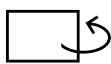
# viewprime <sup>x</sup>



355 mm (14,0")



+90°/-50°



180°



+90°/-90°



1034 mm (40,7")



75 x 75/100 x 100



1,5 - 9 kg  
(3,3 - 19,8 lb)

Viewprime plus monitor arm – desk 113

2021/03/21

# 65.113

488 x 318 x 125 mm

1 pcs

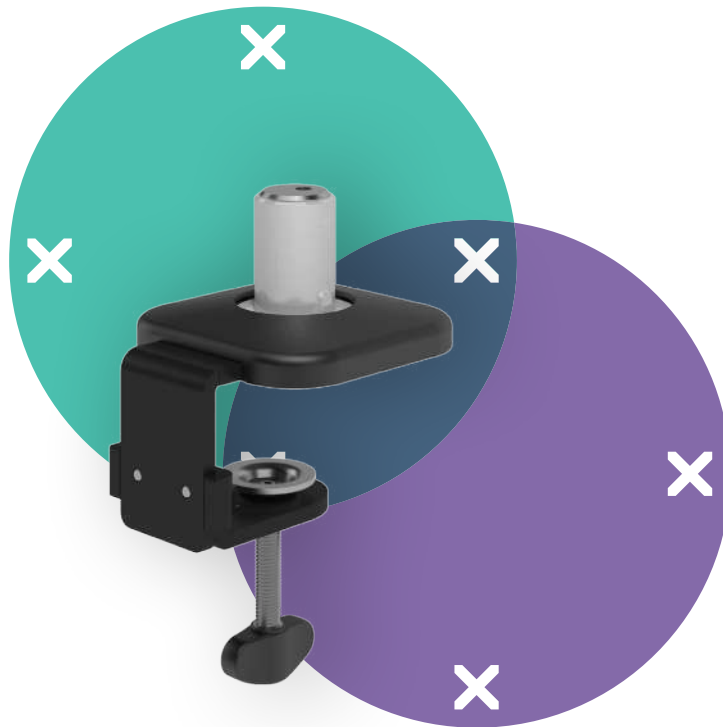
black

3,1 kg

805410651138

# viewprime<sup>x</sup>

Warranty



65.913

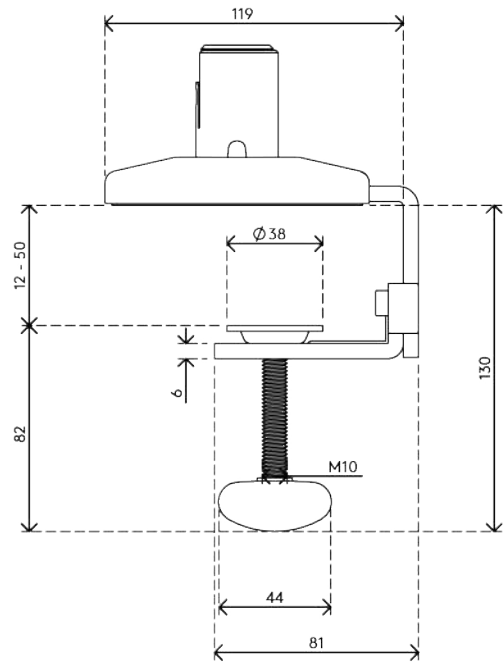
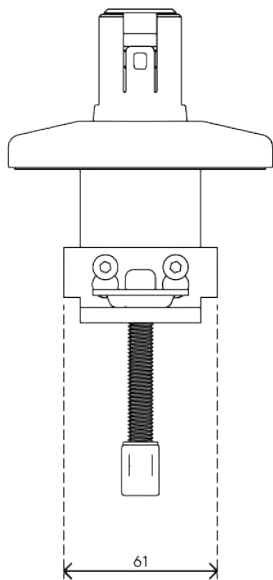
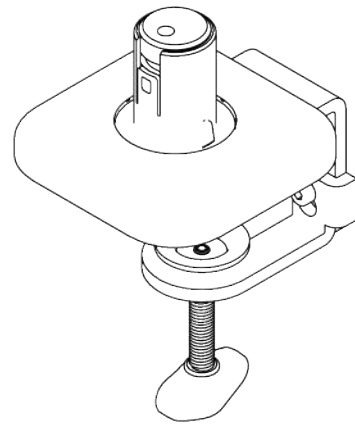
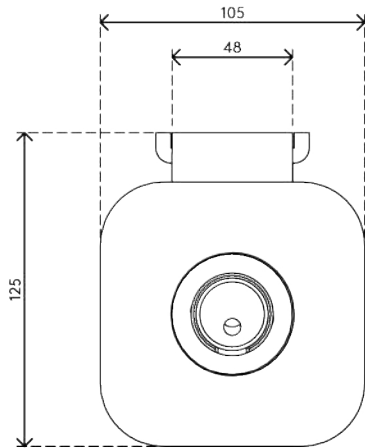
## Viewprime desk clamp - mount 913

Our standard desk clamp is ideally for most desks to mount the single Viewprime plus monitor arm (65.113). Especially if you don't have cable management grommet holes or a M10 bolt hole is not an option, we recommend this mounting option.

- Suitable for a desktop thickness of 12 up to 50 mm (0,5" -2,0")

- Mounting option for single Viewprime plus monitor arm 65.113


# viewprime <sup>x</sup>



## Viewprime desk clamp - mount 913

2021/03/21


# 65.913

 185 x 110 x 110 mm

 1 pcs

 black

 1,662 kg

 805410659134