

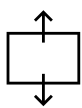
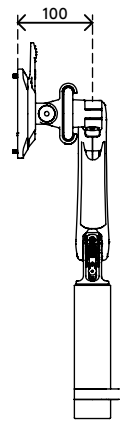
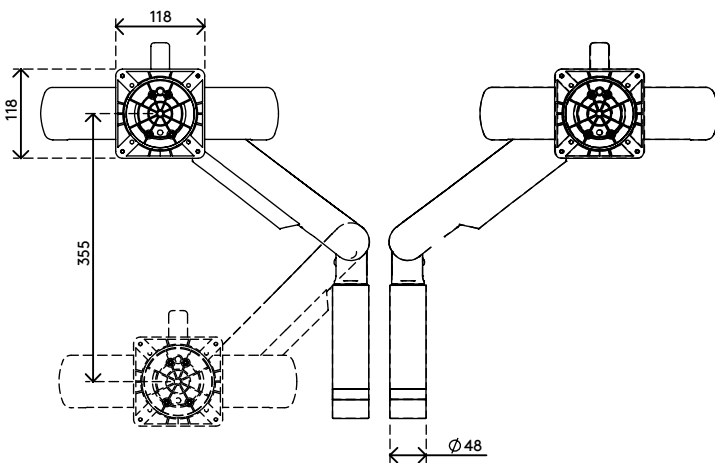
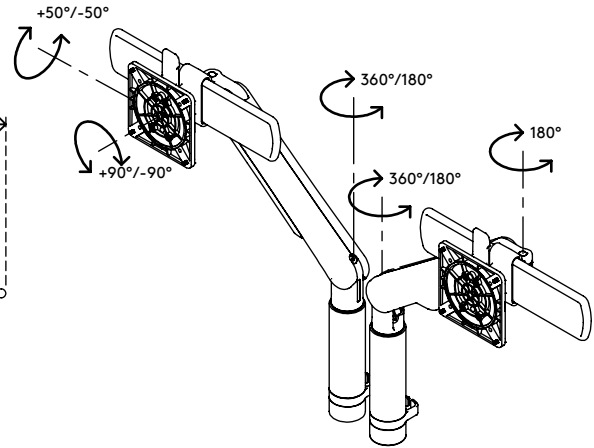
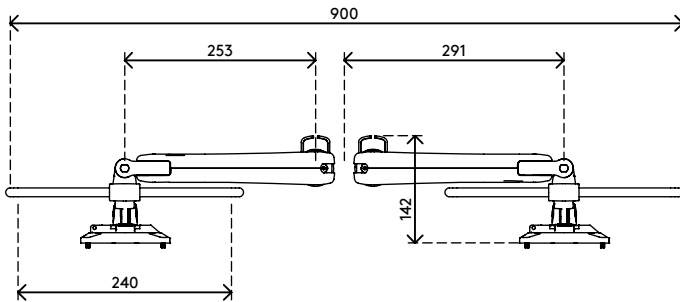
65.213

Viewprime plus monitor arm – desk 213

The lowest possible footprint and highest usability. The two unique monitor sliders allow users to intuitively move dual monitors individually, but also allow you to move the monitors all the way to the back and still have them align precisely. The high-end gas springs allow for fingertip dynamic height adjustment and its precision engineered joints and monitor sliders for smooth operation when adjusting the monitors in depth. A full feature monitor arm with award winning design.

- Dynamic height adjustment range of 355 mm (14,0")
- Independent depth adjustment of 357 mm (14,1")
- Unique monitor slider feature with 240 mm (9,4") of horizontal adjustment
- Capable of portrait and landscape orientation ($\pm 90^\circ$ VESA rotation)
- Built-in gas spring
- Tension adjustment indicator for precision installation
- Integrated cable management
- Quick release included
- VESA MIS-D 75 x 75/100 x 100 mm compatible
- Monitor: tilt $\pm 50^\circ$, swivel $\pm 90^\circ$, rotate $\pm 90^\circ$
- Arm: swivel 360° , limit can be set to 180°
- Weight capacity 1,5 - 8,5 kg (3,3 - 18,7lb.) per monitor
- Monitor size limit: width 812 mm, height 1034 mm
- Desk mount not included, various options available: 65.823, 65.923, 65.943

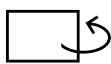
viewprime ^x



355 mm (14,0")



+50°/-50°



180°



+90°/-90°



1034 mm (40,7")



75 x 75/100 x 100



(2x) 1,5 - 8,5 kg
(3,3 - 18,7lb)

Viewprime plus monitor arm – desk 213

2021/03/21

65.213

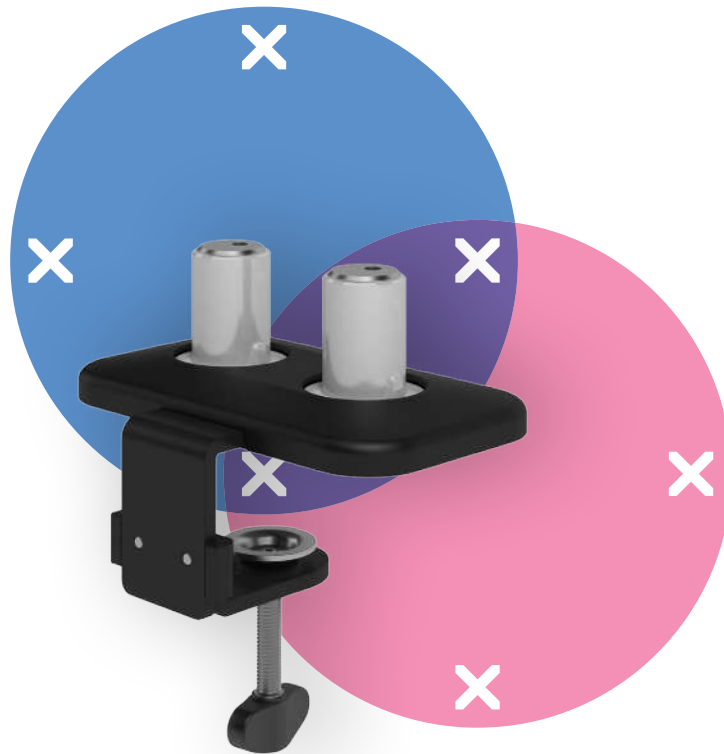
687 x 467 x 94 mm

1 pcs

black

5,3 kg

805410652135



65.923

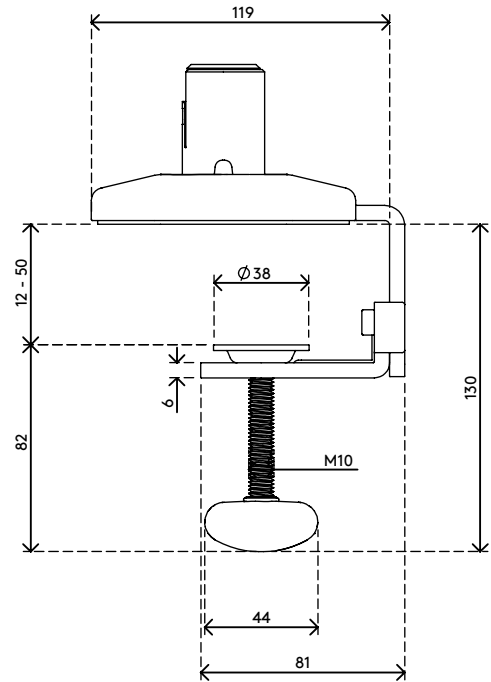
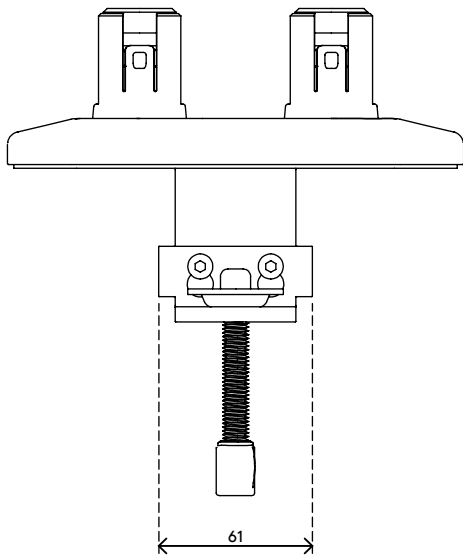
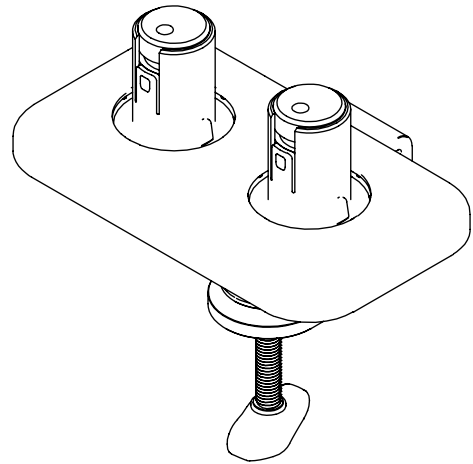
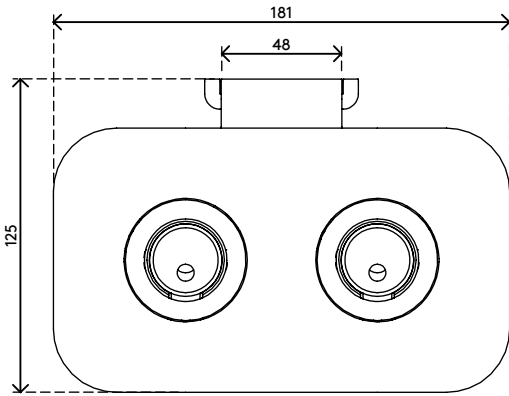
Viewprime desk clamp - mount 923

Our standard desk clamp is ideally for most desks to mount the dual Viewprime plus monitor arm (65.213). Especially if you don't have cable management grommet holes or a M10 bolt hole is not an option, we recommend this mounting option.

- Suitable for a desktop thickness of 12 up to 50 mm (0,5" - 2,0")

- Mounting option for dual Viewprime plus monitor arm 65.213


viewprime ^x



Viewprime desk clamp - mount 923

2021/03/21

65.923

 185 x 110 x 110 mm

 1 pcs

 black

 1,662 kg

 805410659223