



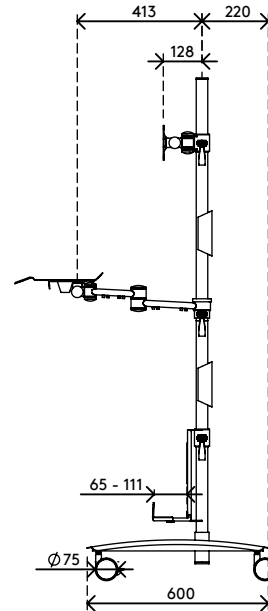
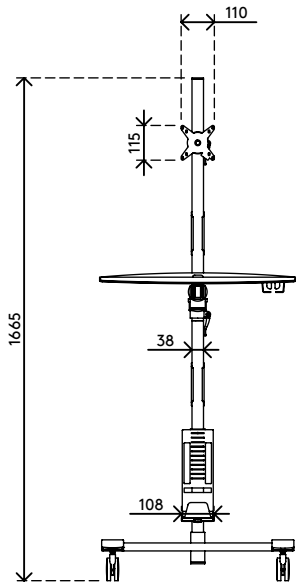
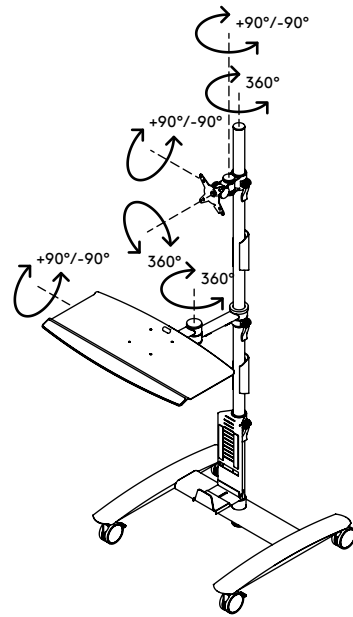
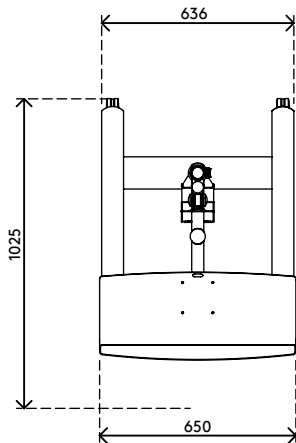
52.702

Viewmate workstation - floor 702

Create a data entry workstation where and when it's needed with this sturdy trolley that's easy to move around. It supports sit-stand working and all parts are independently height adjustable, making sure anyone can work comfortably. Because this trolley has big lockable castors, doorways won't present a threshold.

- Data entry trolley with big lockable castors (75 mm diameter)
- Convenient clamp lever on height adjustable parts locks them in place
- Able to hold a monitor, mouse and keyboard and a small form factor computer
- VESA MIS-D 75 x 75/100 x 100 mm compatible
- Cable covers keep cables neatly together
- Keyboard & mouse platform is tiltable and depth adjustable
- SFF holder fits devices with a thickness of 65 - 111 mm and max. height of 350 mm
- Trolley dimensions (w x d x h): 636 x 600 x 1665 mm
- Max. weight capacity: keyboard & mouse platform 5 kg, SFF holder 10 kg, monitor mount 15 kg

viewmate ^x



+90°/-90°

+90°/-90°

360°

75 x 75/100 x 100

Viewmate workstation - floor 702

2016/03/25

52.702

800 x 690 x 285 mm

1 pcs

silver

22 kg

805410527020