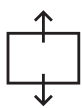
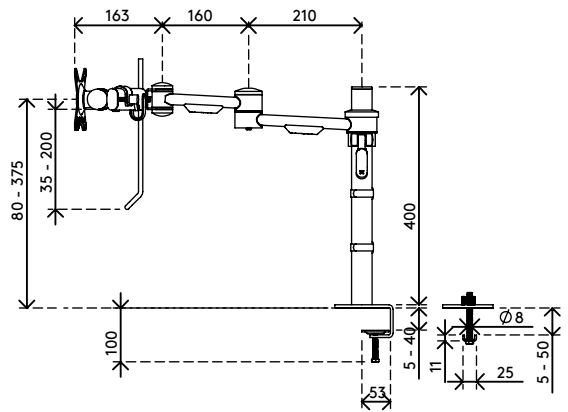
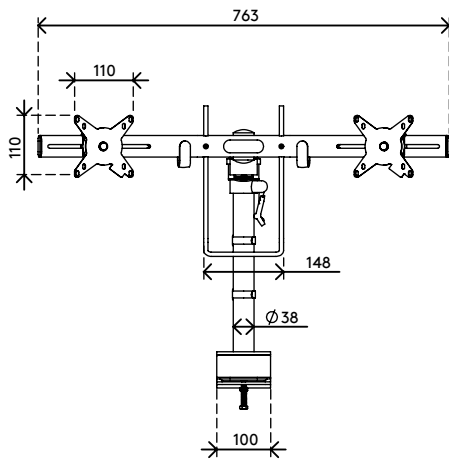
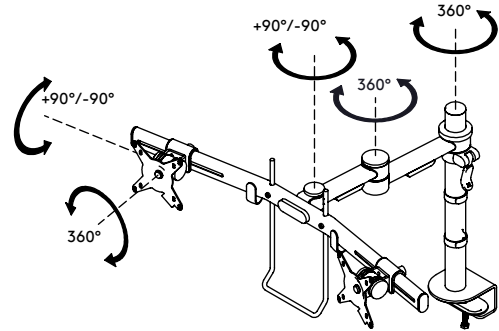
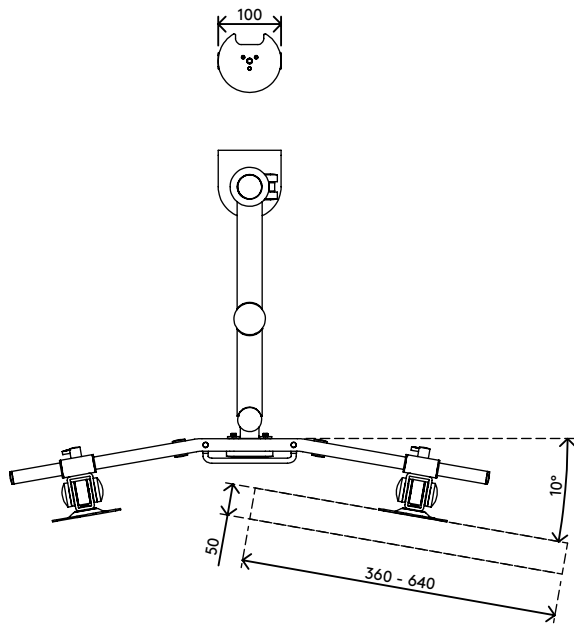


viewmate ^x



295 mm (11,6")



+90°/-90°



360°



640 mm (25,2")



713 mm (28,1")



75 x 75/100 x 100



(2x) 7,5 kg (16,5 lb)

Viewmate monitor arm - desk 603

2020/09/29

52.603

825 x 265 x 150 mm

1 pcs

black

7 kg

805410526030