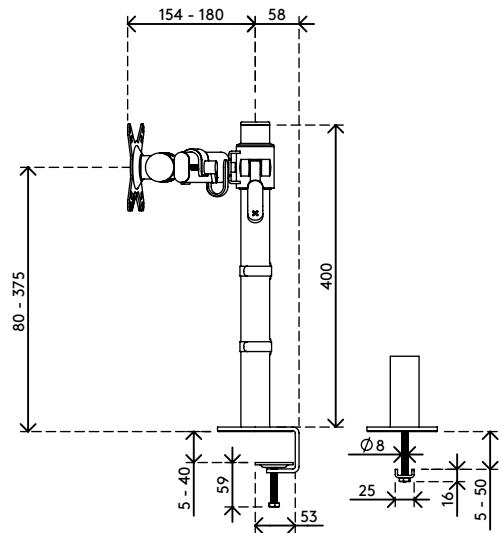
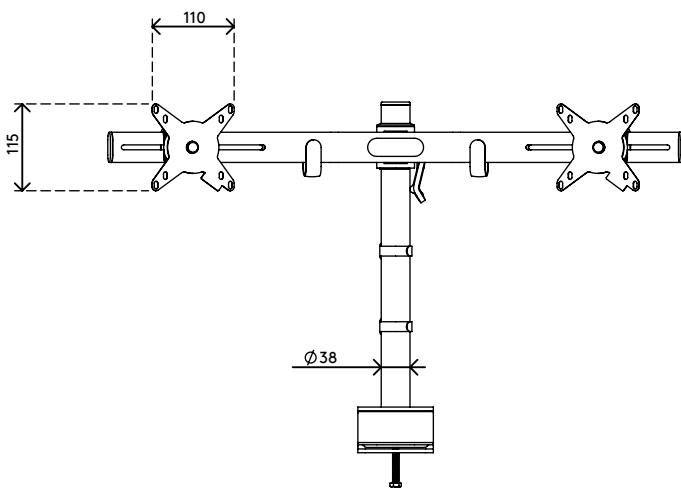
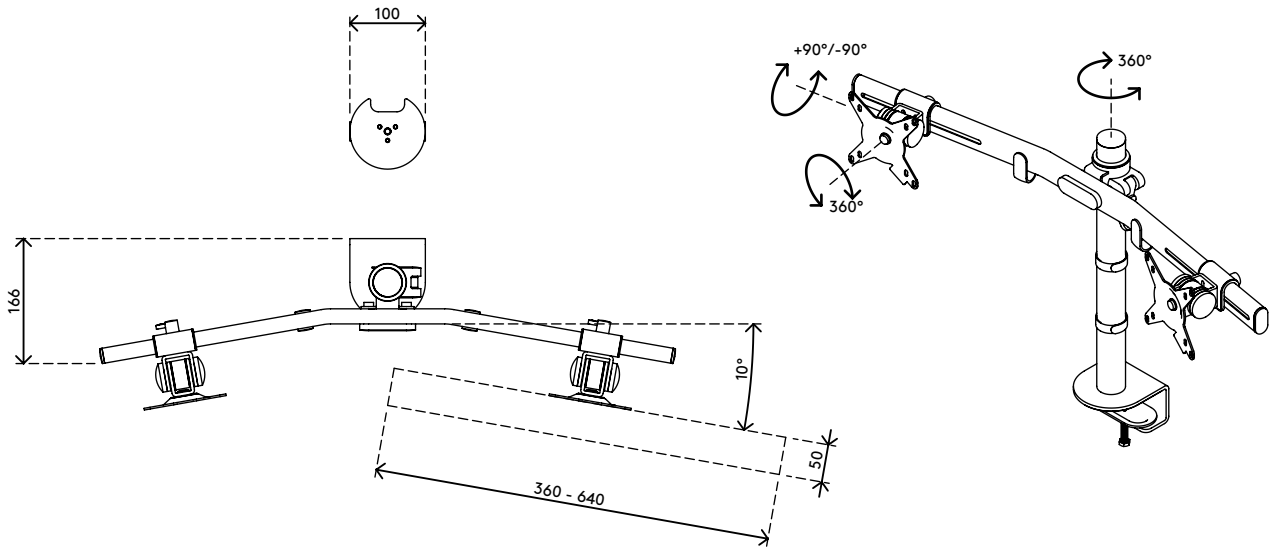
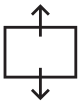








viewmate ^x



- 
 295 mm (11,6")
- 
 +90°/-90°
- 
 360°
- 
 640 mm (25,2")
- 
 713 mm (28,1")
- 
 75 x 75/100 x 100
- 
 (2x) 15 kg (33 lb)

Viewmate monitor arm - desk 643

2020/09/29


52.643

 730 x 170 x 111 mm

 1 pcs

 black

 4,5 kg

 805410526436