

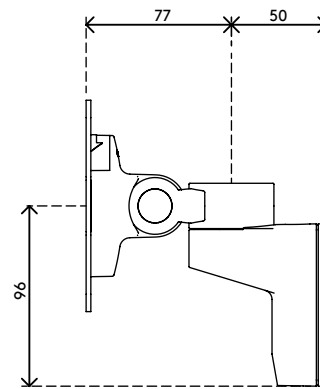
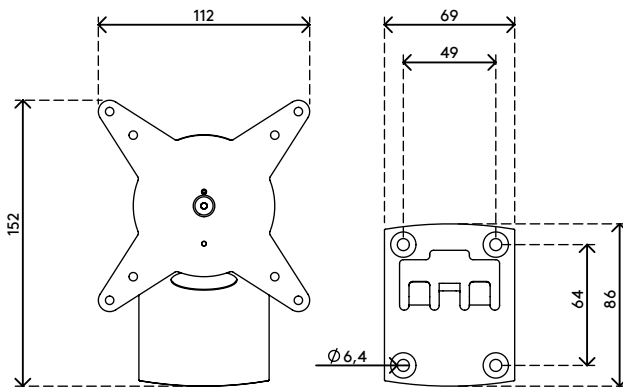
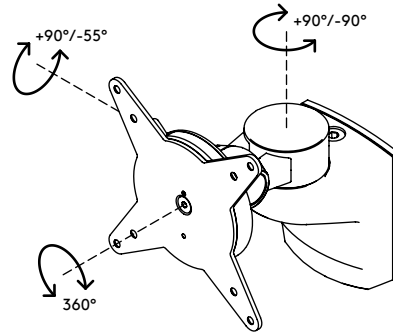
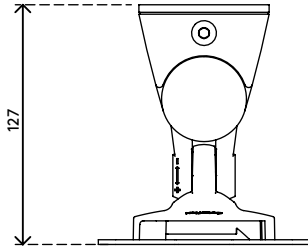
58.202

## Viewlite monitor arm - wall 202

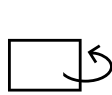
Free up desk space with this wall-mounted monitor arm, which lets you tilt and swivel your monitor to achieve your perfect positioning. You can also combine multiple monitor arms to create a multi-display or video wall.

- Fixed height
- Fixed depth
- Main components made of aluminium
- 40% of aluminium content is already recycled
- VESA MIS-D 75 x 75/100 x 100 mm compatible
- Rotate 360°, tilt +90°/-55°, swivel +90°/-90°
- Weight capacity max. 8 kg per monitor
- Comes with a wall mount
- Fitted with a practical quick-release VESA system
- Monitor rotation lock can be enabled

# viewlite X



+90°/-55°



+90°/-90°



360°



75 x 75/100 x 100



8 kg

## Viewlite monitor arm - wall 202

2016/03/25

# 58.202

 212 x 181 x 128 mm

 1 pcs

 silver-white

 1,214 kg

 805410582029