

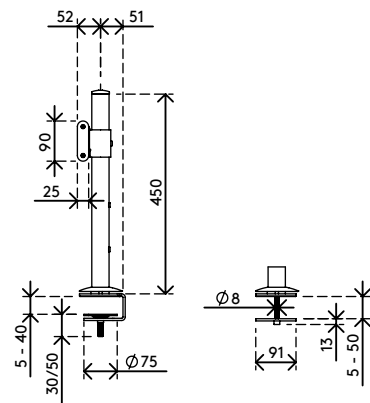
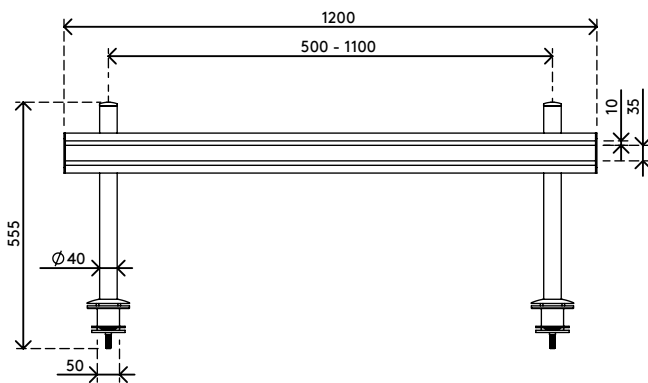
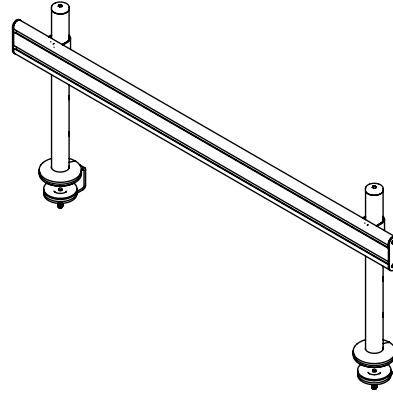
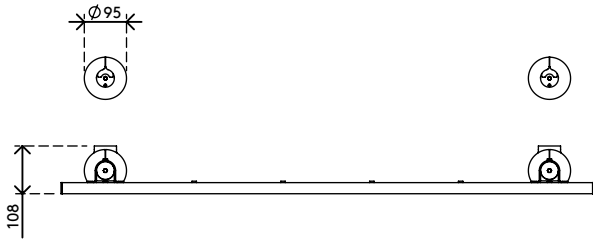
58.702

## Viewlite toolbar - desk 702

Because the toolbar is front-mounted, you can adjust the distance between its poles. This lets you install it anywhere on a desk, using either a desk clamp mount or bolt-through desk mount. Cables are easily hidden in the toolbar's cable duct to create a tidy, professional impression.

- Toolbar assembly with a rail length of 1200 mm
- Comes with a desk clamp mount and bolt-through desk mount
- Cables run neatly inside the toolbar's cable duct
- Suitable for a desktop thickness of 5 up to 40 (clamp) or 50 mm (bolt through)
- Pole height 450 mm
- Pole diameter 40 mm


# viewlite X



## Viewlite toolbar - desk 702


2016/01/04


# 58.702

 1300 x 165 x 155 mm

 1 pcs

 silver-white

 7,1 kg

 805410587024