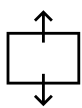
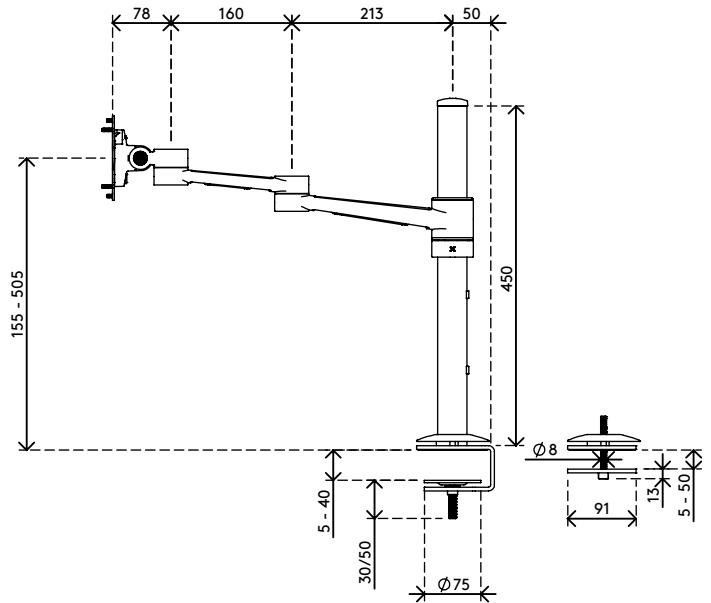
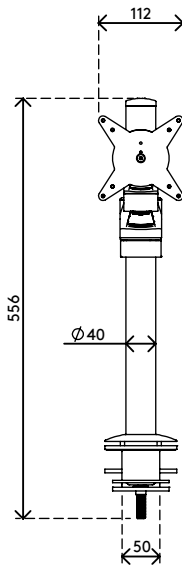
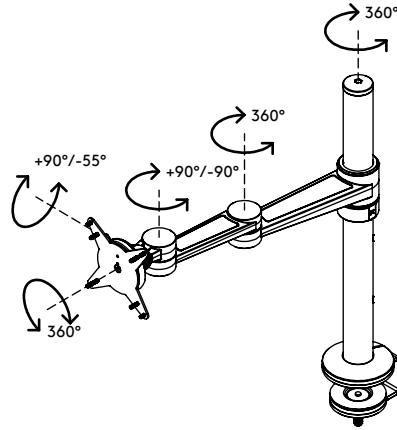
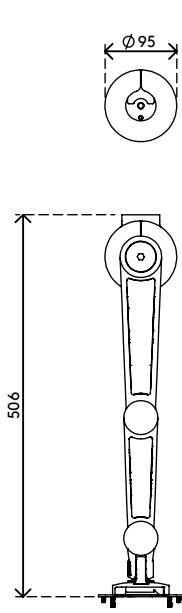


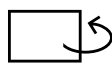
viewlite X



350 mm (13,8")



+90°/-55°



+90°/-90°



360°



978 mm (38,5")



75 x 75/100 x 100



8 kg (17,6 lb)

Viewlite monitor arm - desk 120

2021/01/05

58.120

596 x 250 x 112 mm

1 pcs

white

4,10 kg

805410581206