

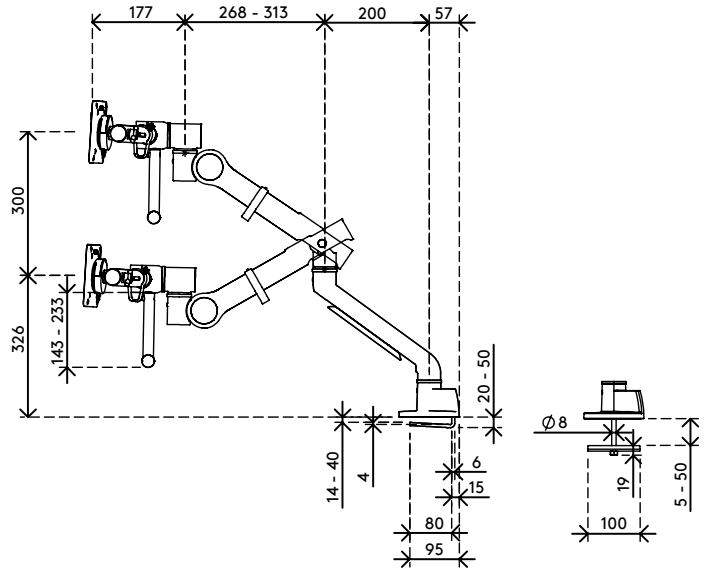
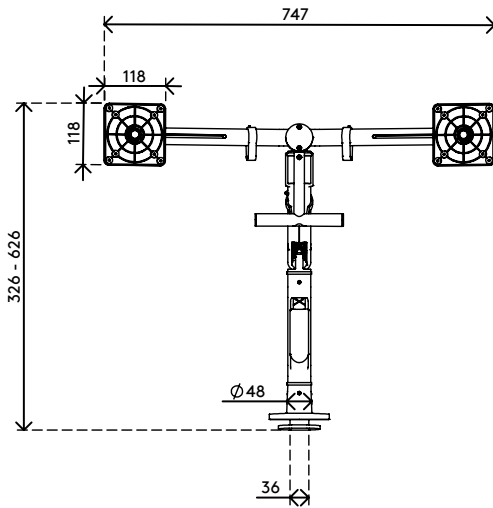
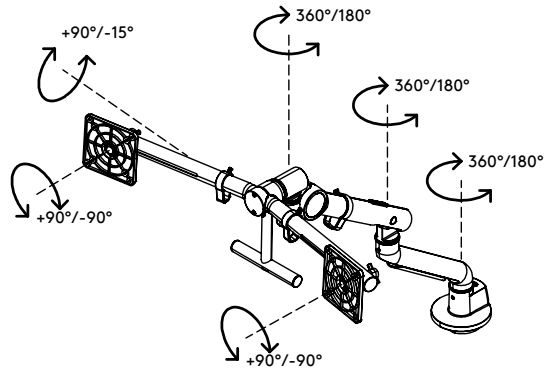
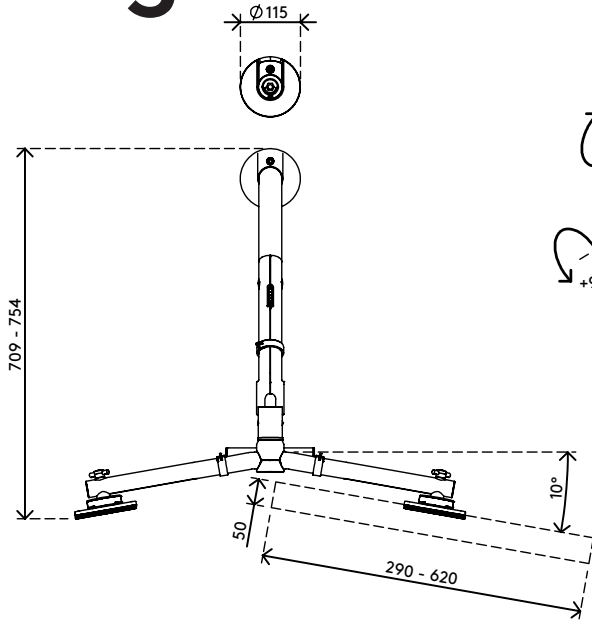
48.640

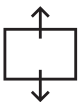


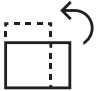




# Viewgo pro monitor arm - desk 640

The ideal solution for an ergonomic workstation with 2 monitors. Increase employee productivity and well-being, while freeing up valuable desk space and promoting a clean desk policy. Viewgo Pro meets all ergonomic standards, has a beautiful design and is also attractively priced. Easy to install and suitable for virtually all desks thanks to its top access clamp.

- Dynamic height adjustment of 300 mm (11,8")
- Depth and height adjustment using a handle
- Independent depth adjustment
- Fitted with a lifetime warranty adjustable tension spring
- Fitted with cable clips to guide cables tidily
- Main components made of aluminium
- Standard VESA quick release
- Compatible with VESA MIS-D 75 x 75/100 x 100 mm
- Monitors: tilt +90°/-15°, swivel +90°/-90°, rotate +90°/-90°
- Arm: swivel 360°
- Swivel lock of arm set to +90°/-90° (can be switched off)
- Weight capacity min. 0.5 kg - max. 4 kg (1,1 - 8,8 lb) per monitor
- Equipped with desk clamp mount (top access clamp) and desk mount
- Suitable for desktop thicknesses from 14 to 40 mm (0,6 - 1,57") (clamp) or 60 mm (2,36") (grommet)
- Maximum monitor size: width 620 mm (24,4") - height 1000 mm (39.4")
- Sturdy, scratch-free attachment to any surface thanks to protective rubber anti-slip coating
- Easy installation with the tools provided
- Supports monitors in portrait and landscape mode
- Unique mechanism in crossbar enables precise horizontal levelling
- Tension gauge ensures easy monitor setup

# viewgo



-   
300 mm (11,8")
-   
+90°/-15°
-   
+90°/-90°
-   
+90°/-90°
-   
620 mm (24,4")
-   
1000 mm (39,4")
-   
75 x 75/100 x 100
-   
(2x) 0.5 kg - 4 kg (1,1 - 8,8 lb)

Viewgo pro monitor arm - desk 640

2023/08/08

# 48.640

 775 x 395 x 140mm

 1 pcs

 white

 6,35 kg

 805410486402