

addit **x**

Warranty



45.453

## Bento® laptop table adjustable 453

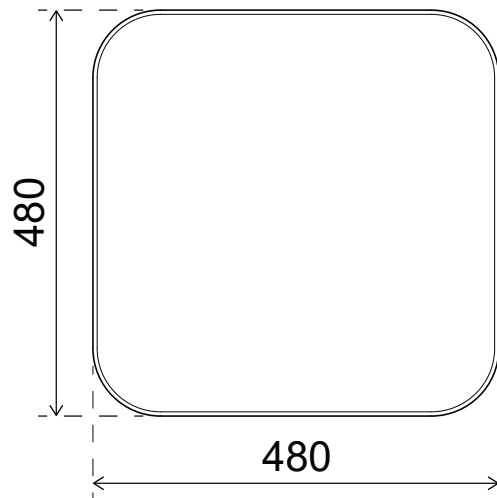
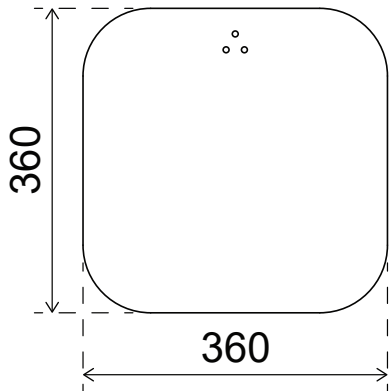
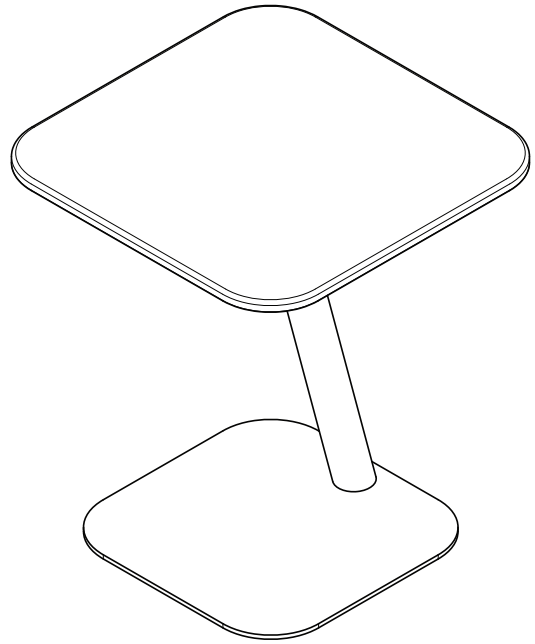
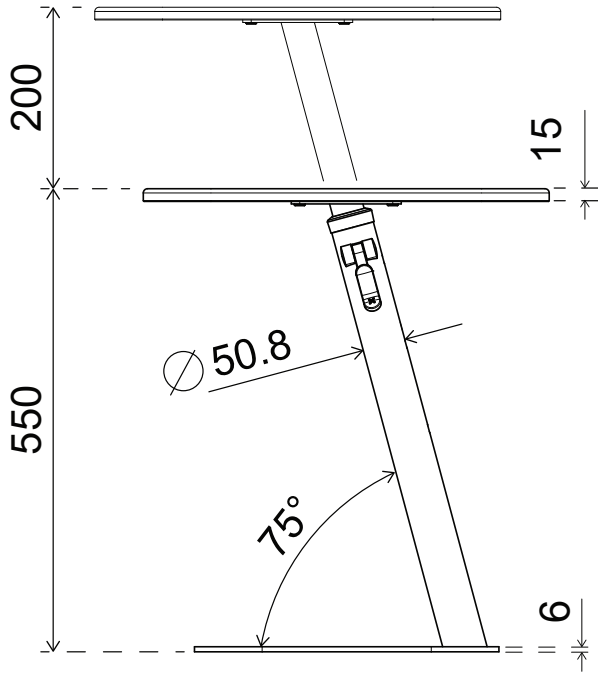
The Bento laptop table is designed for Activity Based Working environments but works and looks great almost everywhere. It has a safe, intuitive height adjustment mechanism and is suitable for soft seating and (task) chair environments. The combination of a flat, stable base and angled pole, offer best in class stability, easy mobility on both hard floors and carpets and gives you more legroom and reach. With its small stature and big personality, the Bento laptop table is a perfect addition to any workplace.

- Great design matches all interiors
- Create touch down workstations everywhere
- Perfect for Activity Based Working environments
- Safe height adjustment mechanism with built in soft-drop
- Height adjustable from 55,5-75 cm
- Suitable for hard floors and carpet
- Max. weight capacity of 15 kg (33 lb)
- Dimensions (w x d x h): 480 x 480 x 555 - 750 mm (19 x 19 x 21,65 - 29,5")

dataflex

feeling at work

# addit




15 kg

**Bento® laptop table adjustable 453**

2023/02/27

# 45.453

 640x575x172mm

 1 pcs

 black

 14,60kg

 805410454531