

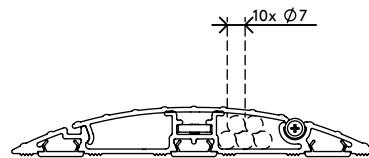
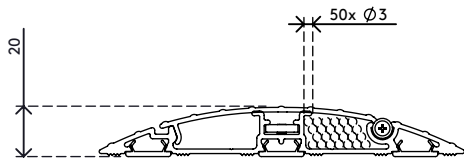
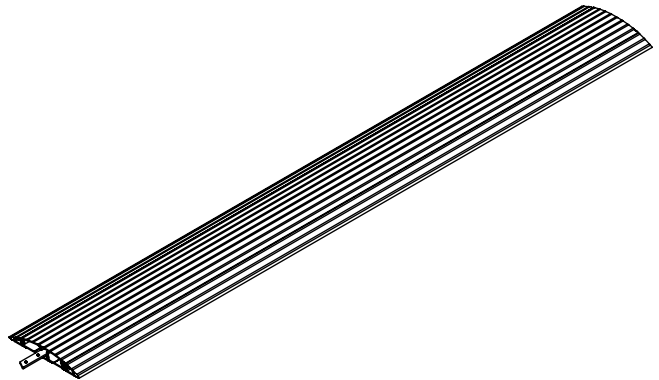
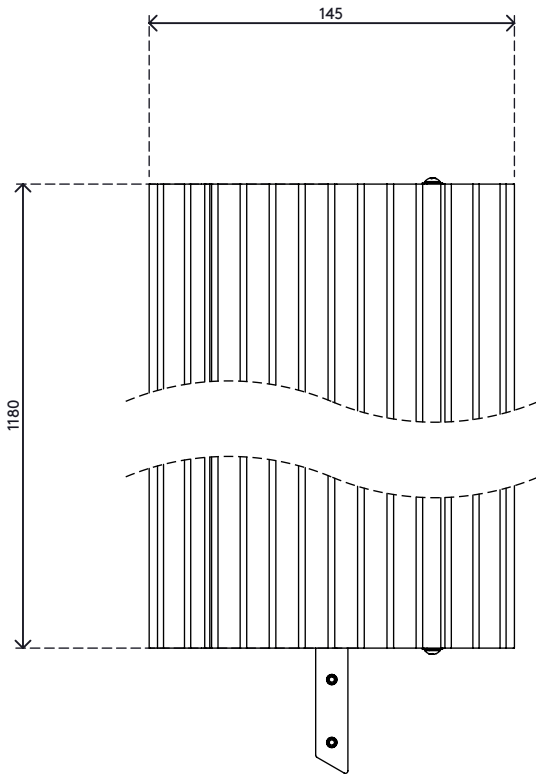
31.452

Addit hinged cable protector - straight 452

With hinged cable duct access, it quickly gets cables across to where you need them to be. At the same time it makes sure that both people and cables stay unharmed and undamaged by keeping them out of each other's way.

- Fully recyclable aluminium assembly
- Curved top with ridges provides grip when stepped on
- Suitable for 10 cables of 7 mm thickness
- Enables optimal separation of data and power cables
- Hinged cover provides easy access to cable ducts
- Underside has ridges that anchor into carpeted floors
- Underside is also fitted with friction strips providing grip on smooth floors
- Dimensions (w x d x h): 145 x 1180 x 20 mm

addit



Addit hinged cable protector - straight 452

2016/03/25


31.452

 1215 x 180 x 45 mm

 1 pcs

 silver

 2,515 kg

 805410314521