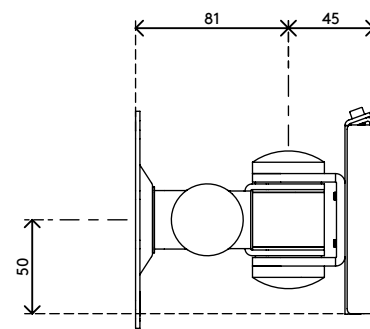
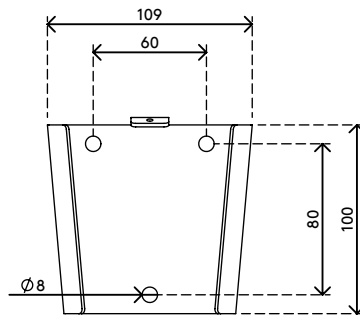
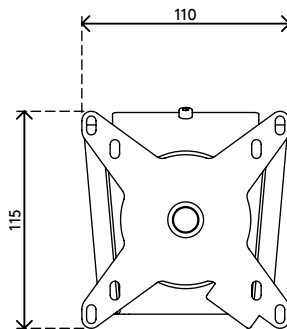
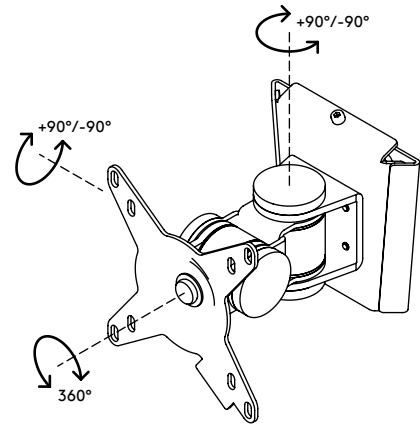
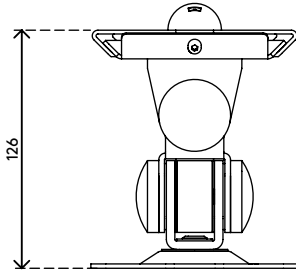


# viewmate <sup>x</sup>



+90°/-90°



+90°/-90°



360°



75 x 75/100 x 100




15 kg

Viewmate Monitorarm - Wand 032


2019/06/24


# 52.032

 140 x 140 x 170 mm

 1 pcs

 silber

 1,57 kg

 805410520328