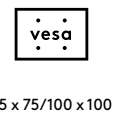
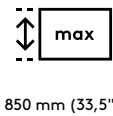
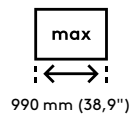
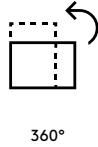
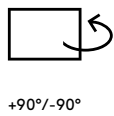
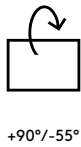
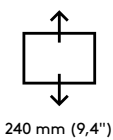
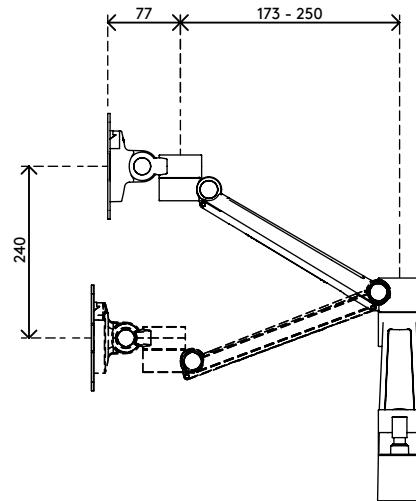
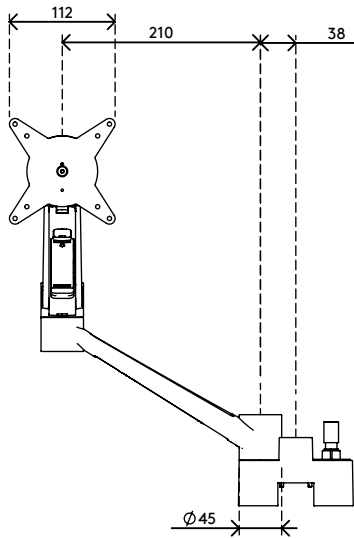
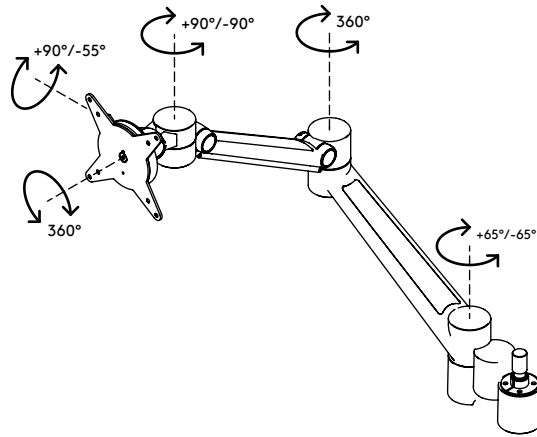
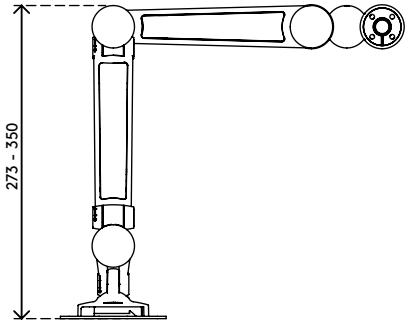


viewlite X



Viewlite Dual-Monitorarm-Upgrade-Kit - Option 602

2019/06/24

58.602

375 x 265 x 105 mm

1 pcs

silber-Weiß

2,75 kg

805410586027