

# BOUNCEPAD CATALOGUE

AUGUST 2020

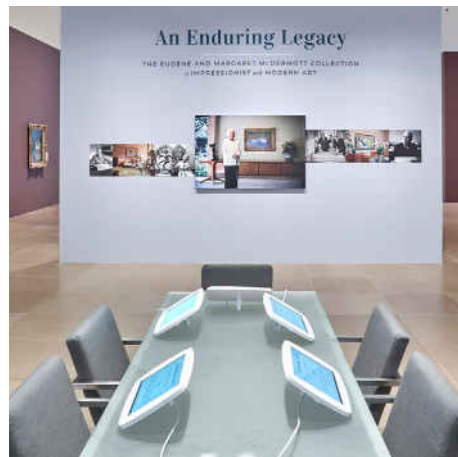
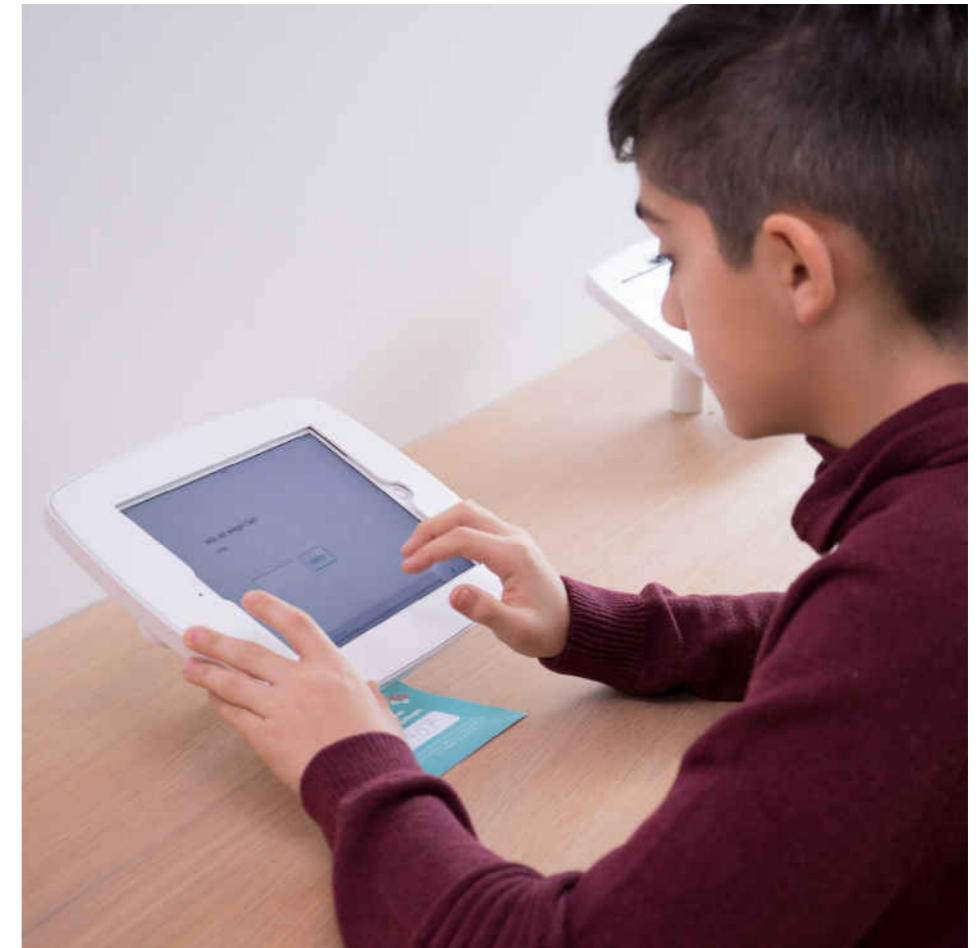
# ABOUT BOUNCEPAD

Back in 2011, Bouncepad invented the tablet kiosk and has been the market leader ever since. Renowned for high quality products and excellent customer service, Bouncepad are loved and trusted by some of the biggest names in retail and hospitality. McDonald's, Selfridges, Tommy Hilfiger, HSBC and the V&A have relied on us to enhance the experience they offer.



## Why choose Bouncepad?

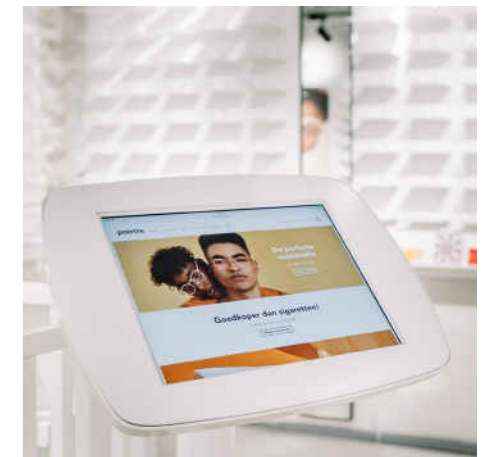
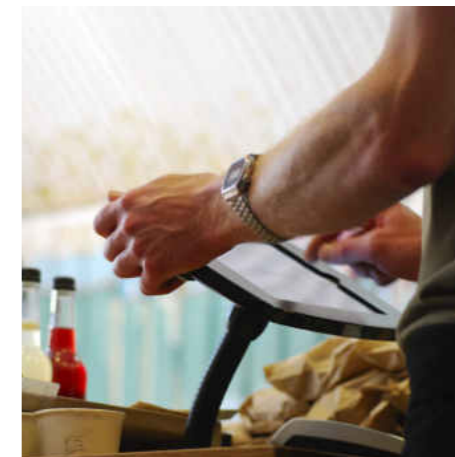
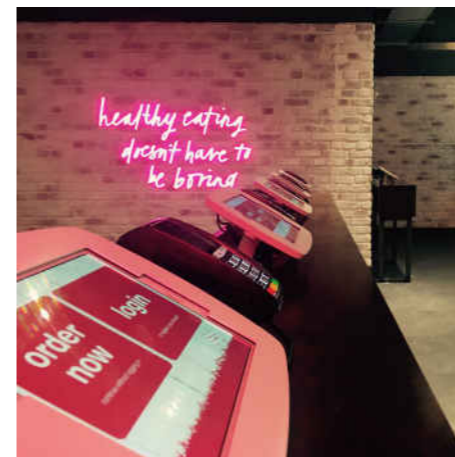
- We're available and reliable
- We can fit with your deadlines and make sure you're always in stock
- Next day delivery/ competitive delivery times
- We're fuss free and so are our products
- Great customer service, easy to work with and always try our best to help
- Our products are compatible with all major Apple, Windows and Android tablets and we always support new tablets as they are released



Recognisable for their sleek design and robust build, Bouncepad products turn tablets into amazing business tools.

We listen to our customers, we detect pain-points and we design with empathy to create useful, beautiful products. Whether it's for work or play, you can find Bouncepad products all around the world in the most iconic places – your favourite shop, museum, ice-cream van and café.

At Bouncepad, our brains are always ticking. We are constantly questioning, dreaming and refining to ensure we stay at the top of the leader board. Our team works hard to ensure we are consistently providing the best customer service, delivery time, process, product and even packaging. We work closely with resellers and software providers to make our products available in the most convenient spaces.



# TABLE OF CONTENTS



Branch

26-27



Static 60

28-29



Vesa

30-31



Flex

8-9



Floorstanding

10-11



Wallmount

12-13



Counter 60

32-33



Counter Flex

34-35



Floorstanding Slim

36-37



Counter

14-15



Lounge

16-17



Swivel 60

18-19



Floorstanding with  
Brother Printer Mount

38-39



Sumo

40-43



Eddy

44-47



Flip

20-21



Swivel Desk

22-23



Desk

24-25



Add-ons

48-49



Branding Boards

50-51

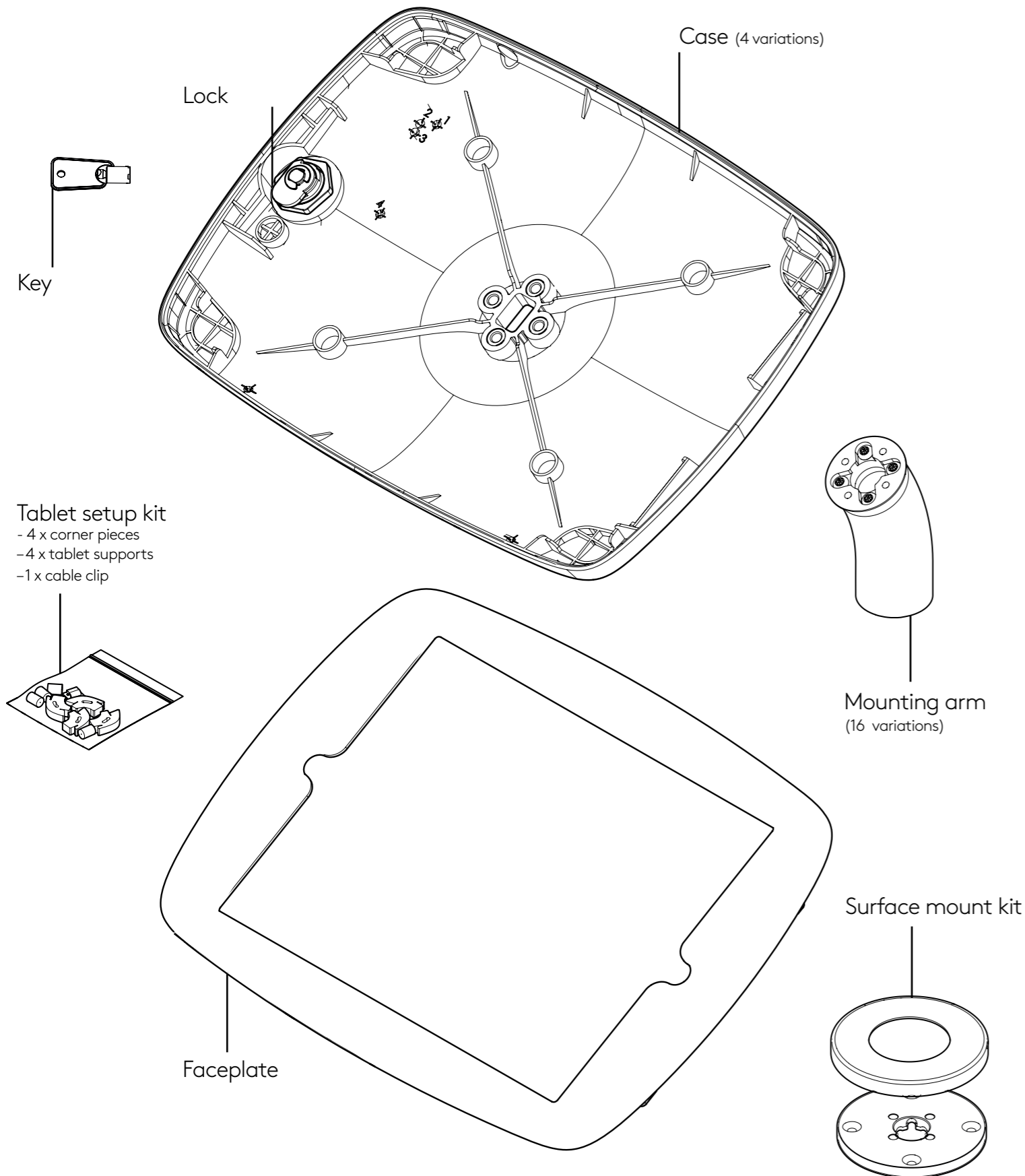


Extras

52-53



# WHAT MAKES AN ORIGINAL BOUNCEPAD



# OUR ORIGINAL RANGE EXPLAINED

## Set and forget



- Secure design that locks with key
- Simple installation
- Can be mounted above or below the surface, or freestanding
- Versatile and accessible: a model for every environment
- Ergonomic design encourages interaction

## Discrete design



- Completely encloses tablet
- Concealed cabling so you can keep your tablet powered up
- Compatible with Apple, Windows, and Android tablets
- Wide range of fixed, freestanding, wallmounted and floorstanding models

## Engaging

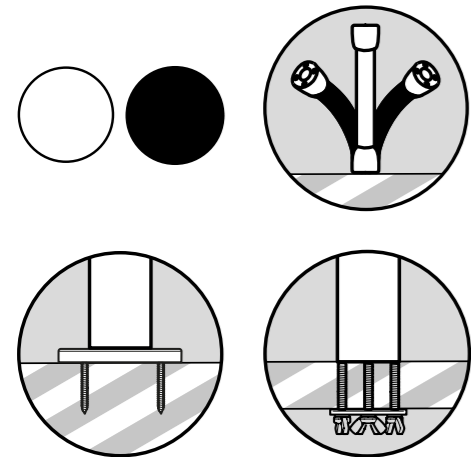
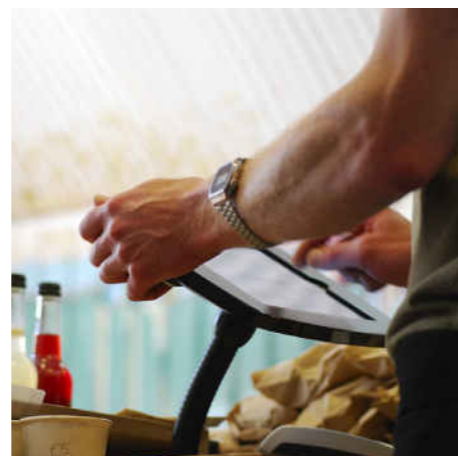


- Available in black and white
- Variety of mounting arms which allow flexible, rotating, tilting, handheld and flipping options
- Made from stainless steel and PC/ABS plastics
- Presents tablet at the most engaging angle for interaction

# FLEX

The Bouncepad Flex offers a full range of movement with a flexible stalk that lets you use the screen at any angle.

- Gymnastic movement allows for maximum interaction without compromising on comfort or security
- Strong yet supple gooseneck stalk is built to last
- Keeps your tablet secure and protected
- Cables neatly stored inside to keep your device powered minus the messy cabling
- Can be mounted in portrait or landscape depending on your content



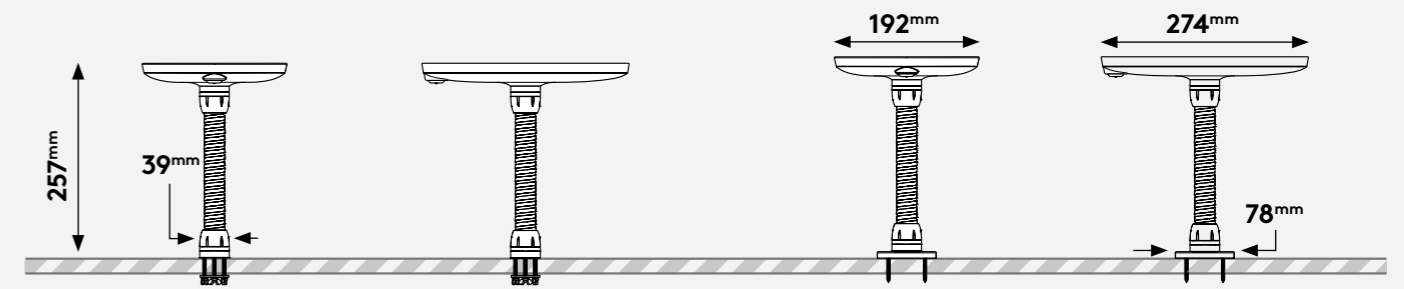
Click [here](#) to download the full SKU list.

## MINI CASE

Mounting:  
Fixing from Below

SKU codes starting with: FLX

Mounting: 6mm taller if mounted from above  
Fixing from Above

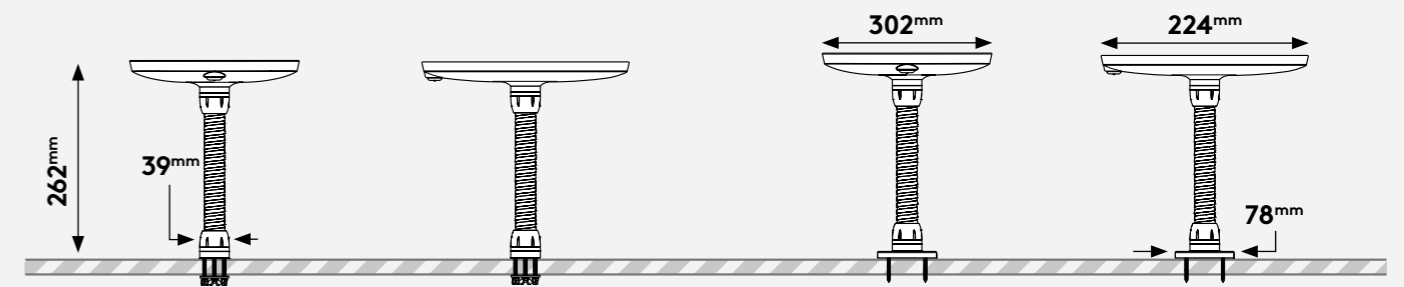


## MIDI CASE

Mounting:  
Fixing from Below

SKU codes starting with: FLX

Mounting: 6mm taller if mounted from above  
Fixing from Above

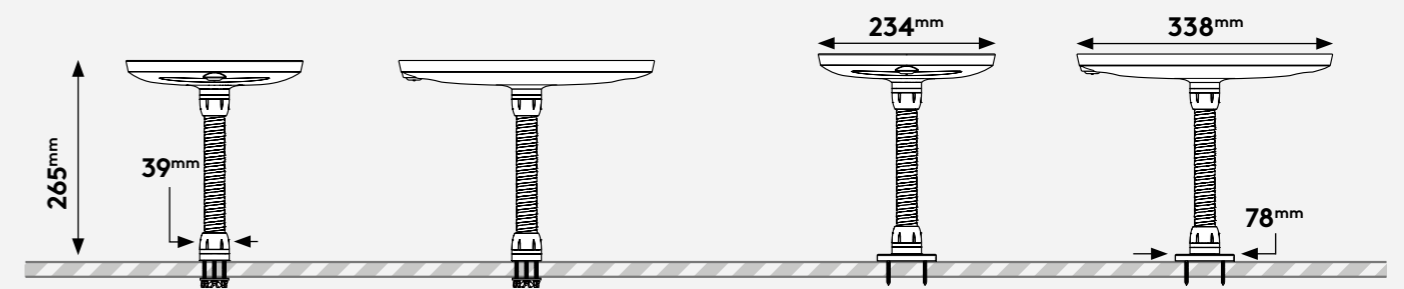


## MAXI CASE

Mounting:  
Fixing from Below

SKU codes starting with: FLX

Mounting: 6mm taller if mounted from above  
Fixing from Above

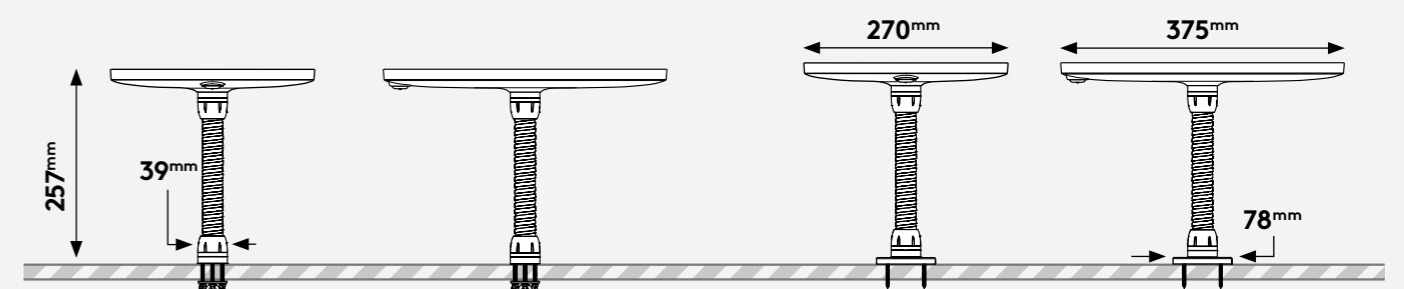


## MEGA CASE

Mounting:  
Fixing from Below

SKU codes starting with: FLX

Mounting: 6mm taller if mounted from above  
Fixing from Above



# FLOORSTANDING

The elegant Bouncepad Floorstanding commands attention, the ultimate standalone tablet display for temporary and permanent installations.

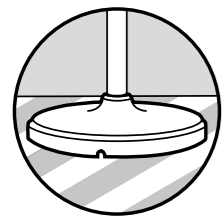
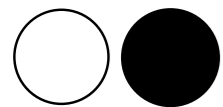
-Weighted base prevents tipping but can be fixed to the floor for extra robustness

-At 114cm high it's the perfect size for standing users

-Secure adapter base allows you to hide your adapter inside for continuous power

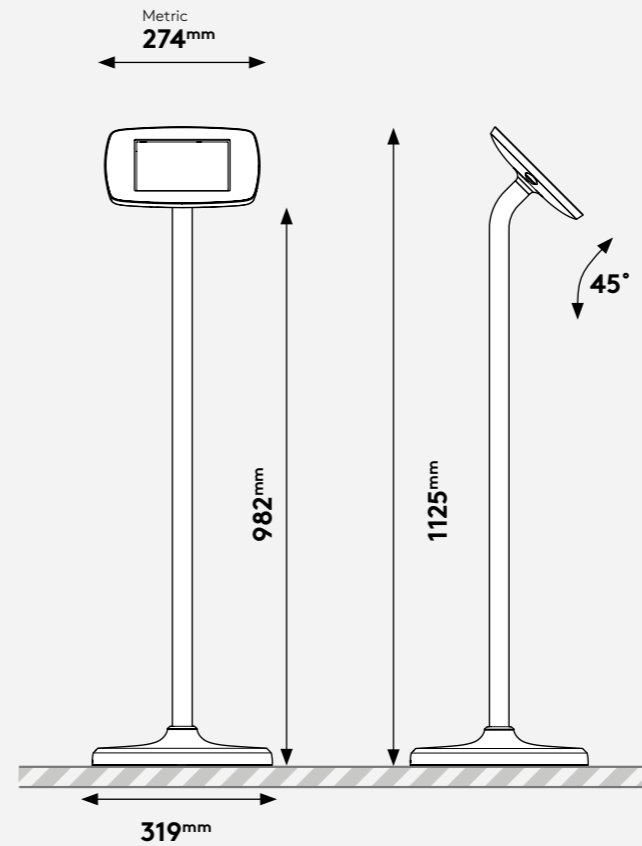
-Combine with the [Anker PowerCore](#) battery pack for an easily portable and cable free option

-Can be mounted in portrait or landscape depending on your content



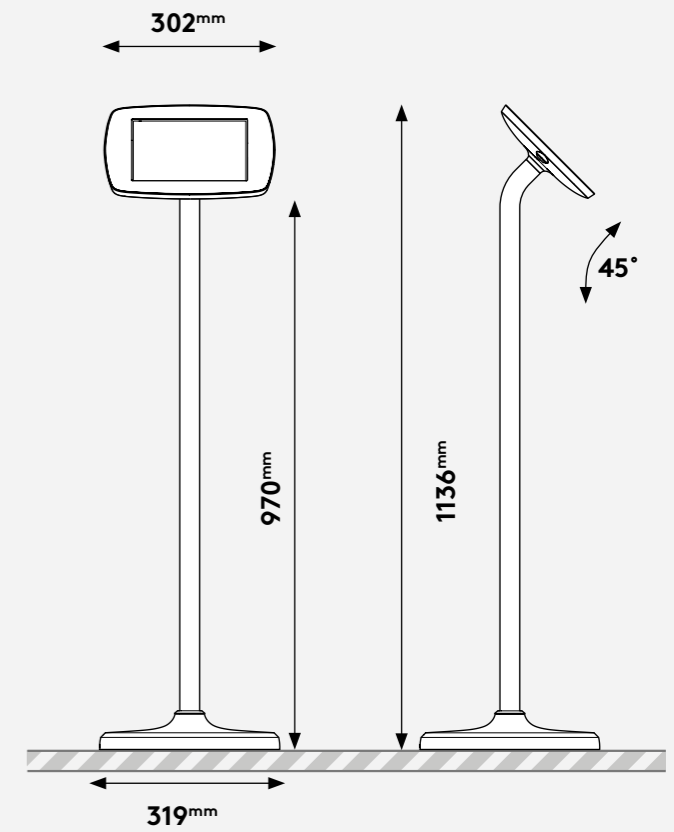
## MINI CASE

SKU codes starting with: FS



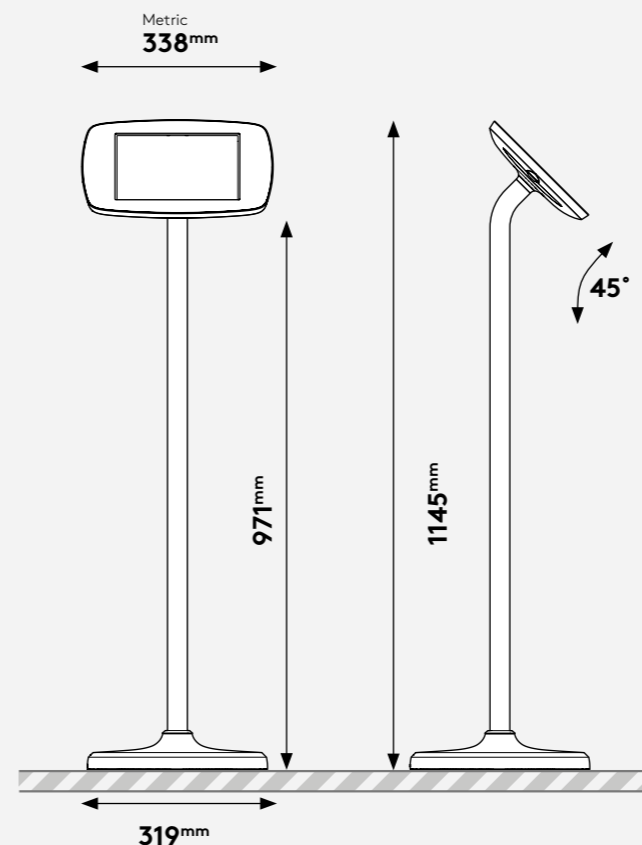
## MIDI CASE

SKU codes starting with: FS



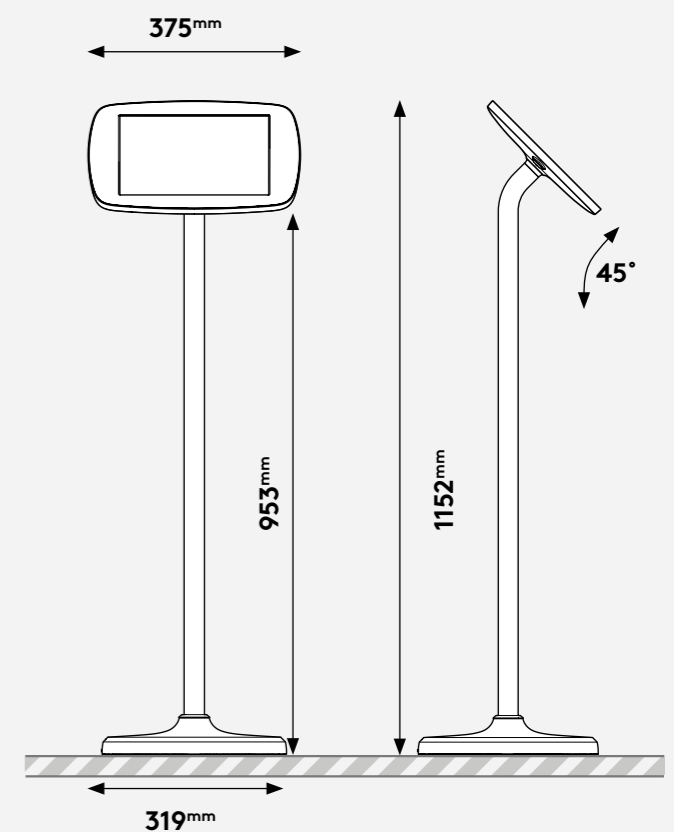
## MAXI CASE

SKU codes starting with: FS



## MEGA CASE

SKU codes starting with: FS



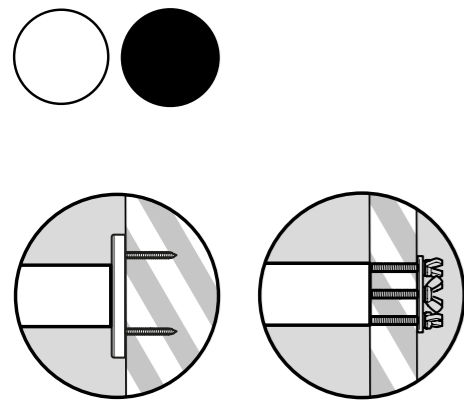
Click [here](#) to download the full SKU list.



# WALLMOUNT

The Bouncepad Wallmount is a low profile solution for vertical surfaces and walls, presenting content at eye level.

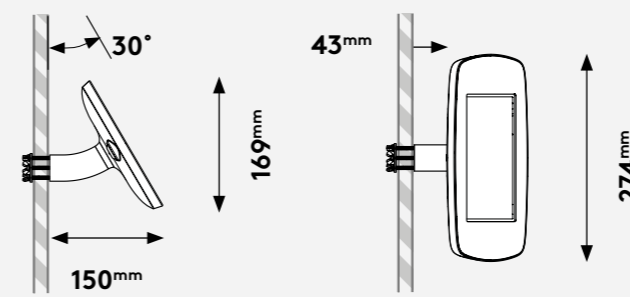
- Fixed at an angle of 60° to entice interaction
- Short mounting stalk keeps the tablet close to your wall perfect for displaying digital content
- Run cables through the inside to keep tablet kiosk continuously powered and looking tidy
- Can be mounted in portrait or landscape depending on your content
- Simple and fuss-free installation



Click [here](#) to download the full SKU list.

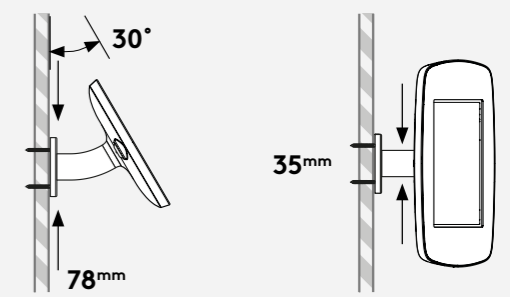
## MINI CASE

Mounting:  
Fixing from Below



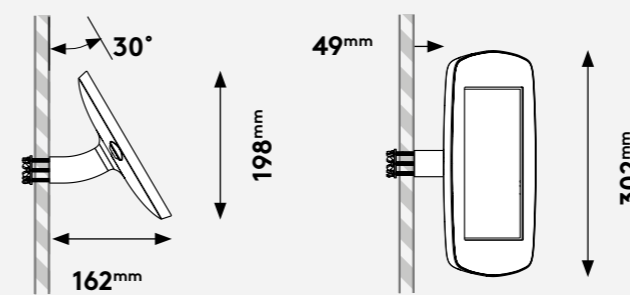
SKU codes starting with: WAL

Mounting: 6mm taller if mounted from above  
Fixing from Above



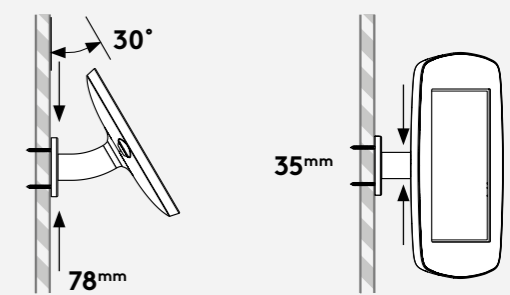
## MIDI CASE

Mounting:  
Fixing from Below



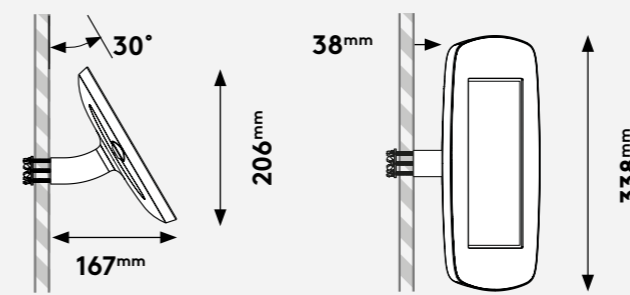
SKU codes starting with: WAL

Mounting: 6mm taller if mounted from above  
Fixing from Above



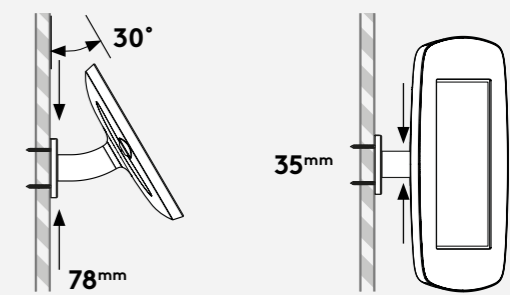
## MAXI CASE

Mounting:  
Fixing from Below



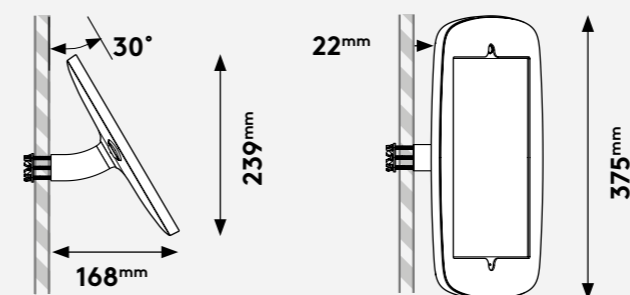
SKU codes starting with: WAL

Mounting: 6mm taller if mounted from above  
Fixing from Above



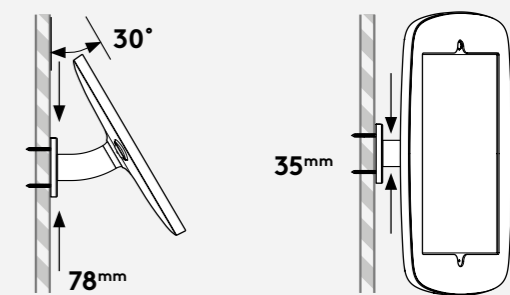
## MEGA CASE

Mounting:  
Fixing from Below



SKU codes starting with: WAL

Mounting: 6mm taller if mounted from above  
Fixing from Above



# COUNTER

The Bouncepad Counter is designed to protect and secure the tablet whilst standing at the perfect angle for ergonomic interaction.

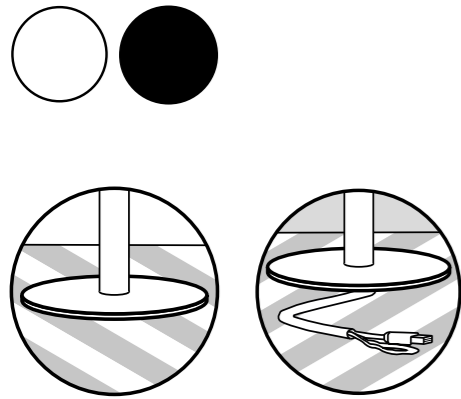
- Freestanding base makes it simple to move around on the countertop

- Provides robust stability with minimal footprint all without permanent fixing

- Can be tethered with one of our reinforced cables for extra security

- Mount in portrait or landscape depending on your content

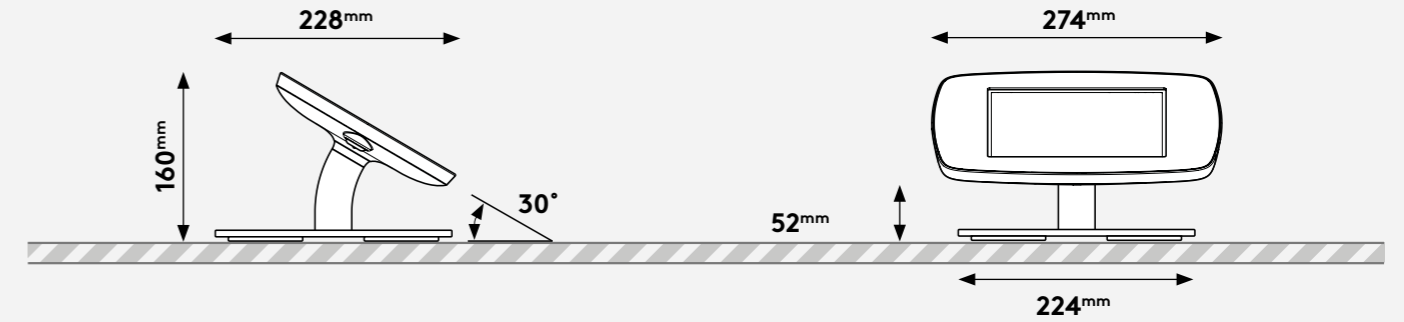
- Run your cables through the inside of your Bouncepad to keep your tablet kiosk continuously powered and looking tidy



Click [here](#) to download the full SKU list.

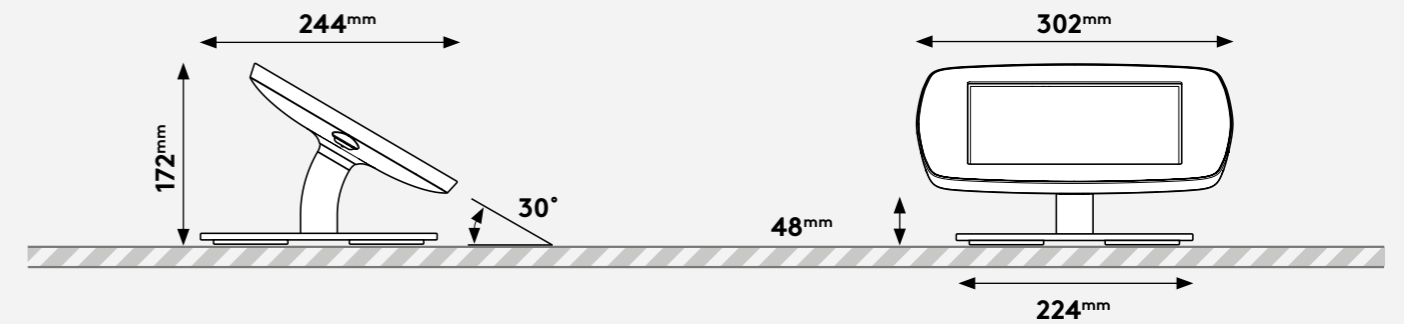
## MINI CASE

SKU codes starting with: CD



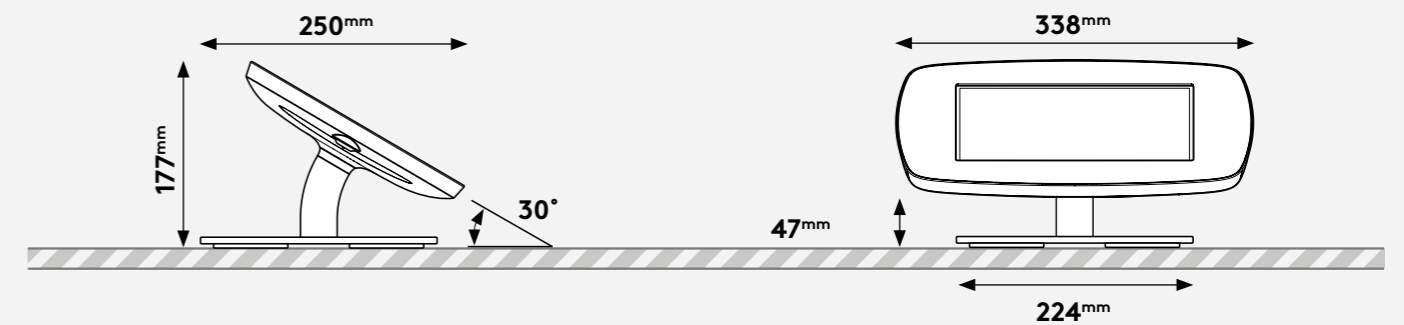
## MIDI CASE

SKU codes starting with: CD



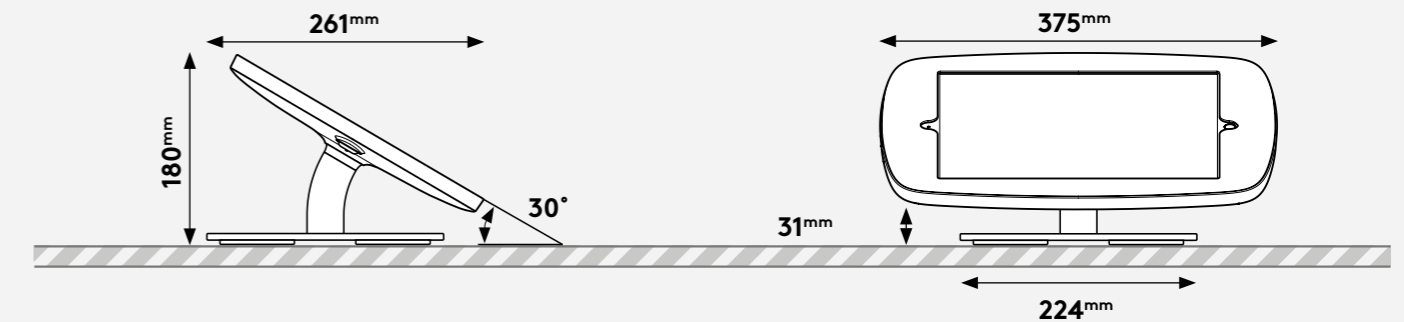
## MAXI CASE

SKU codes starting with: CD



## MEGA CASE

SKU codes starting with: CD





# LOUNGE

Pick it up, sit it on your lap, pass it to a friend. The Bouncepad Lounge is designed for relaxed interaction and free movement.\*

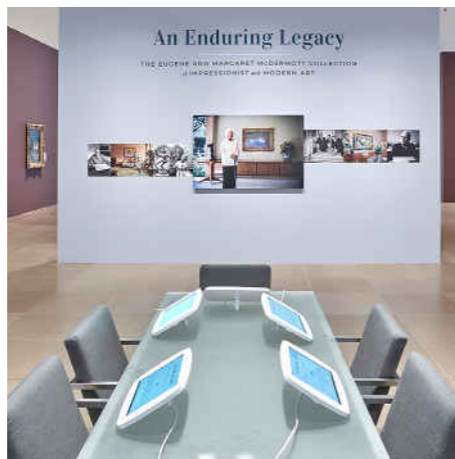
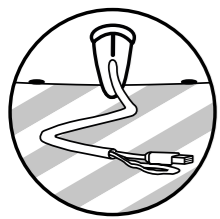
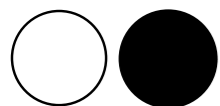
- Reinforced 2m charging cable makes this enclosure secure yet mobile

- Stability comes from a unique conical attachment and two discreet feet that allows it to 'loungue' on your surface

- Easy to move share and pass-around

- Perfect for use with the rear camera exposure extra

- Simple and fuss-free installation

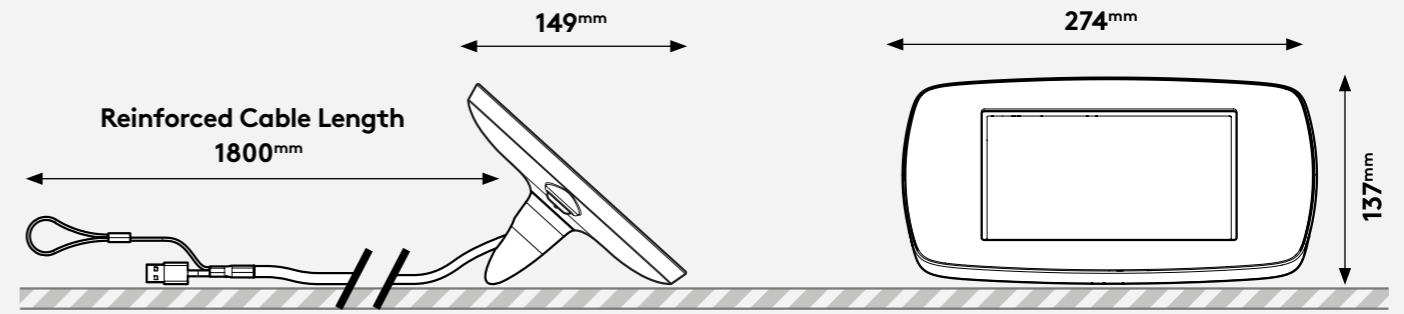


\*Not compatible with the Microsoft Surface Pro range.

Click [here](#) to download the full SKU list.

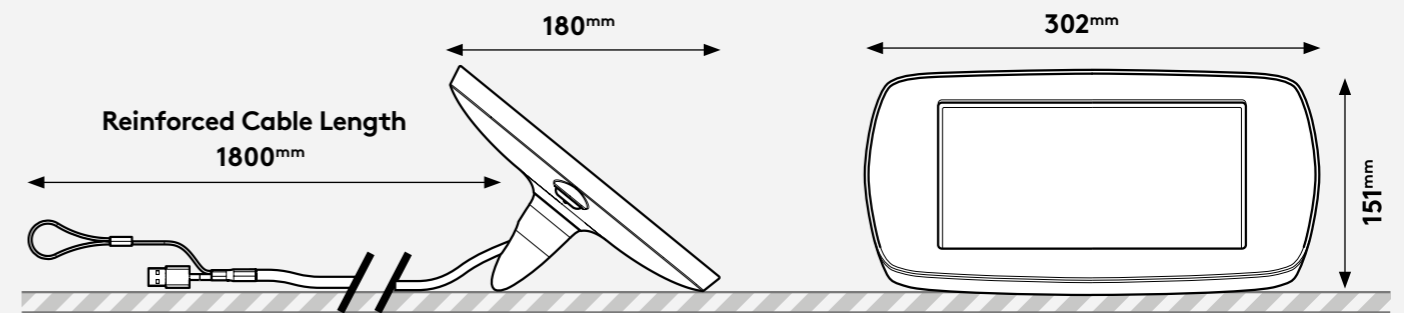
## MINI CASE

SKU codes starting with: LO2



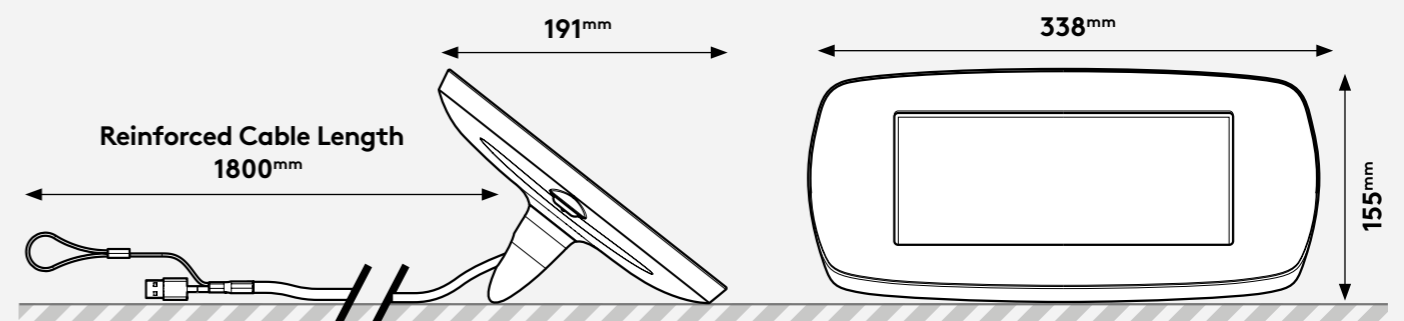
## MIDI CASE

SKU codes starting with: LO2



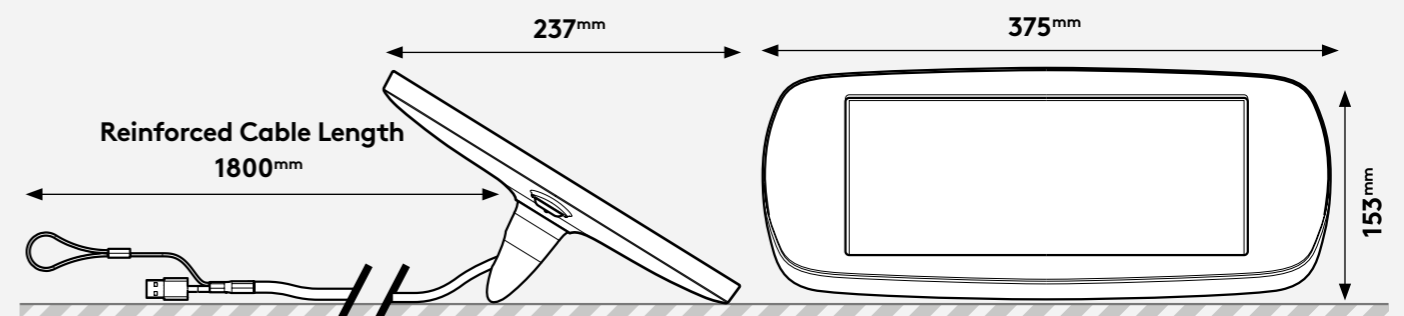
## MAXI CASE

SKU codes starting with: LO2



## MEGA CASE

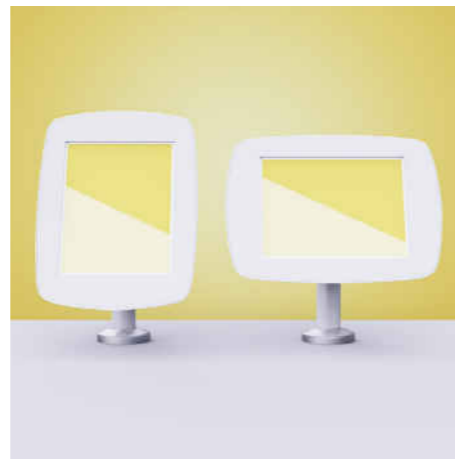
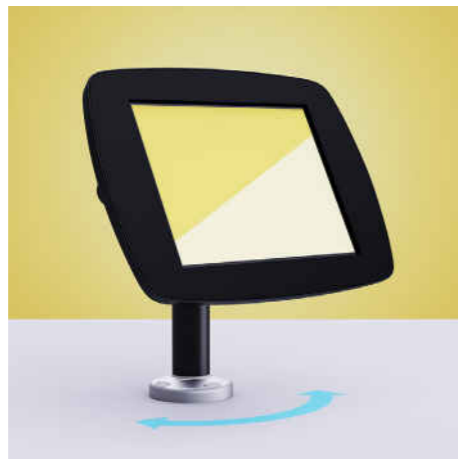
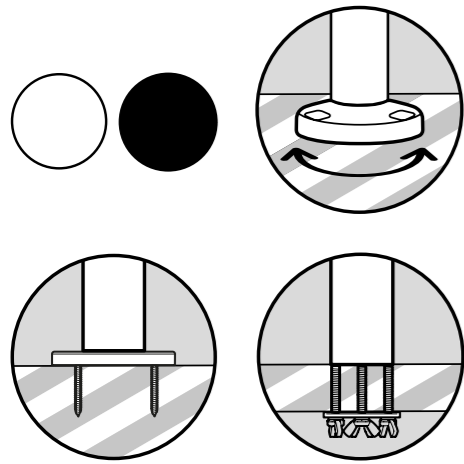
SKU codes starting with: LO2



# SWIVEL 60

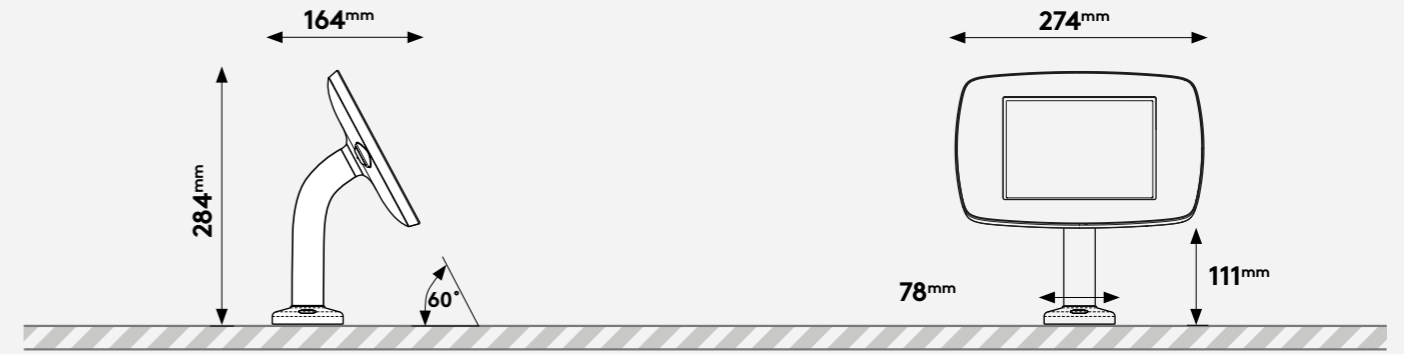
The Bouncepad Swivel 60 acts as a powerful focal point for displaying bright content. Its rotating mounting arm makes sharing information with customers easy and engaging.

- Encourages focused interaction
- Rotating Mounting Arm prompts engagement
- Mount in an orderly row to create an iPad browsing bar
- Cables neatly stored inside to keep your device powered
- Can be mounted in portrait or landscape depending on your content



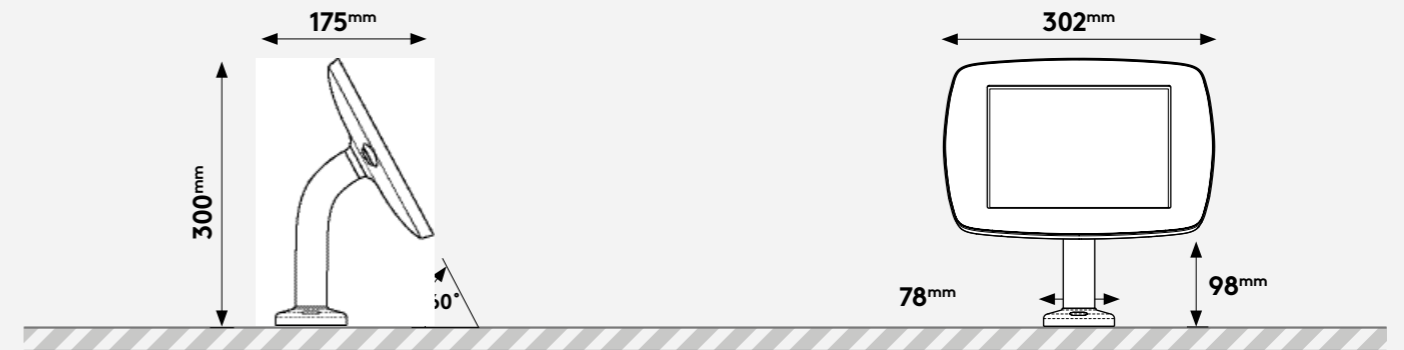
## MINI CASE

SKU codes starting with: S6



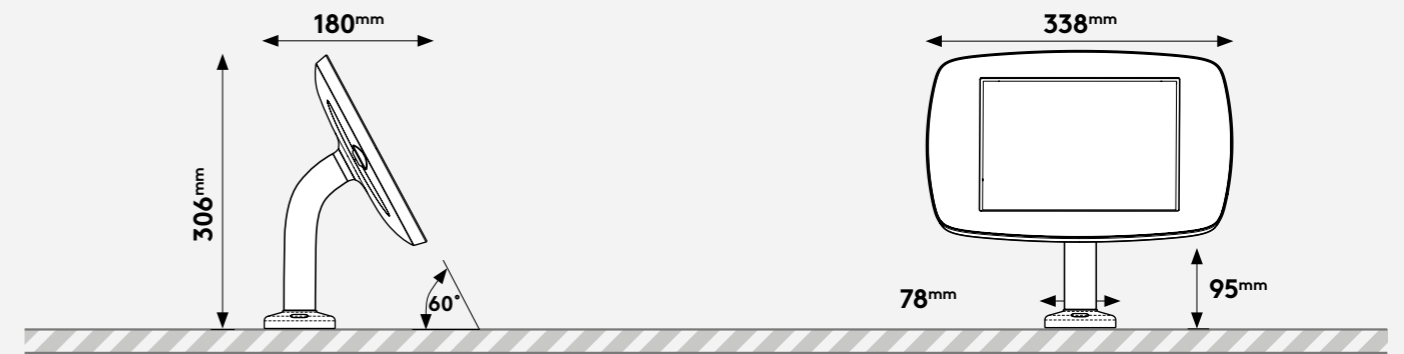
## MIDI CASE

SKU codes starting with: S6



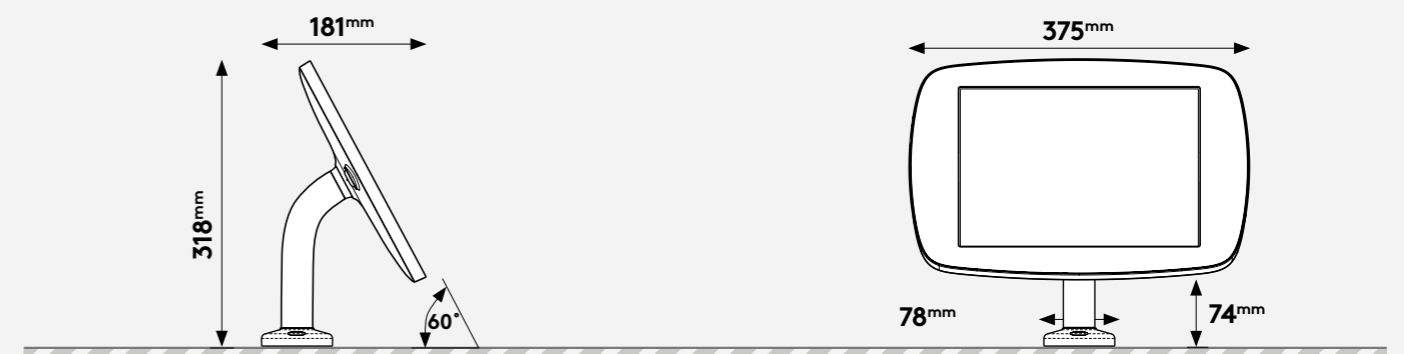
## MAXI CASE

SKU codes starting with: S6



## MEGA CASE

SKU codes starting with: S6



Click [here](#) to download the full SKU list.

# FLIP

The Bouncepad Flip sits elegantly on your counter top, the perfect solution for screen sharing and point of sale applications.

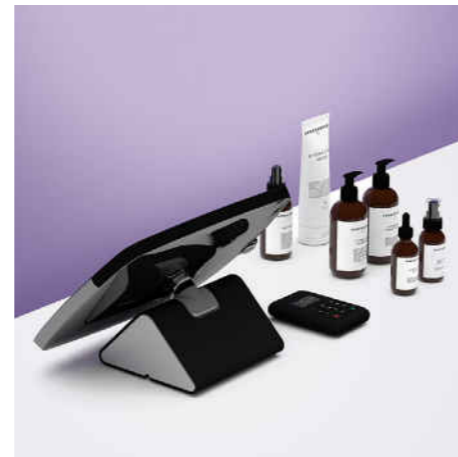
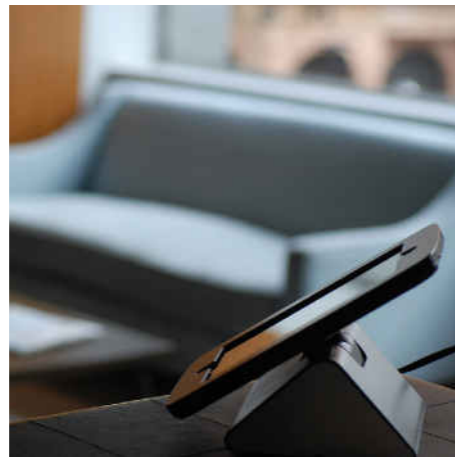
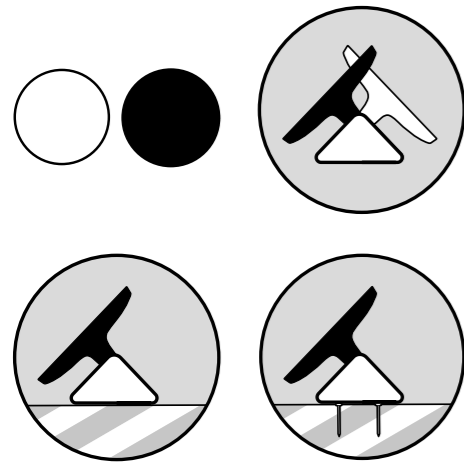
-Weighted base and skilfully engineered hinge makes screen sharing smooth and simple

-Triangular base neatly stores power cables and battery packs. For power on the go, combine with the [Anker PowerCore](#) battery pack

-Easily transforms to point of sale by combining with a card reader

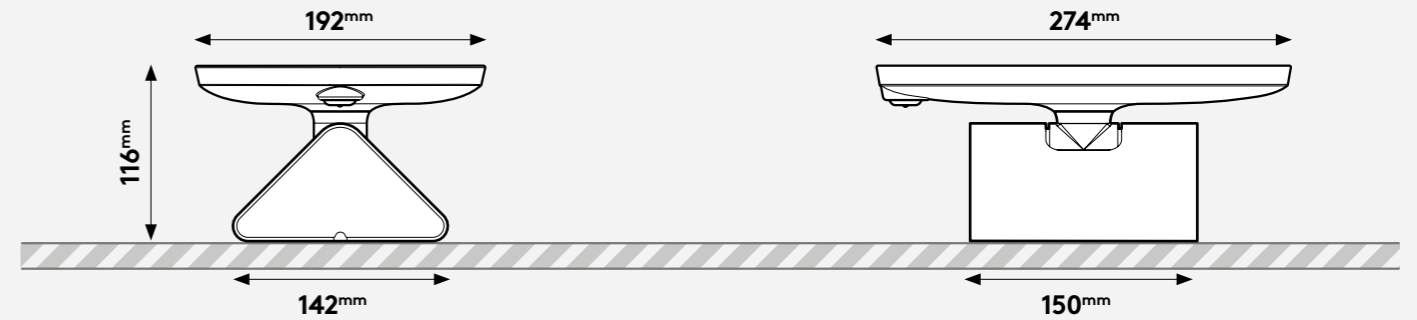
-Extra security if tethered with one of our reinforced cables

-Can stand alone without being fixed down and withstand vigorous day-to-day usage



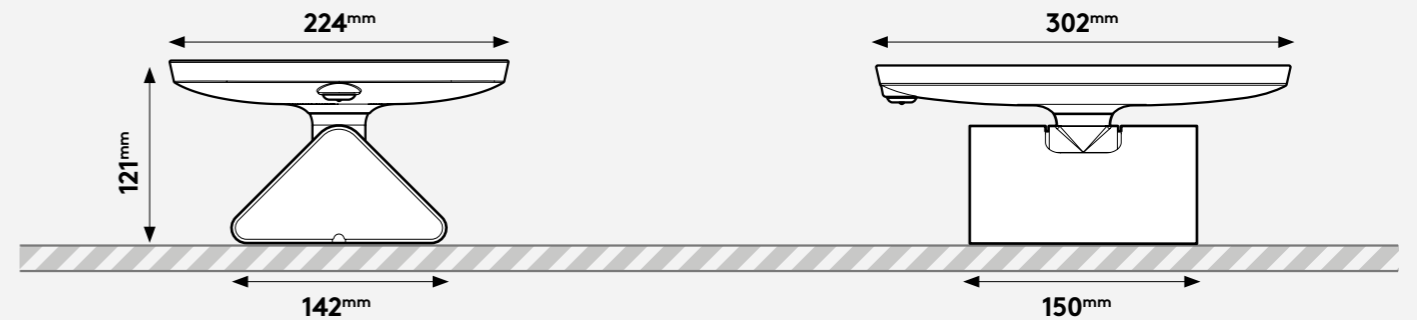
## MINI CASE

SKU codes starting with: FLP



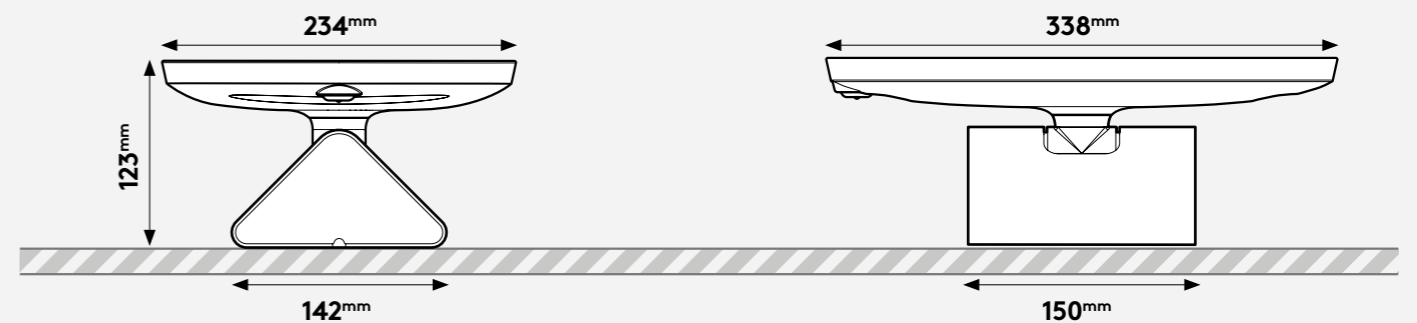
## MIDI CASE

SKU codes starting with: FLP



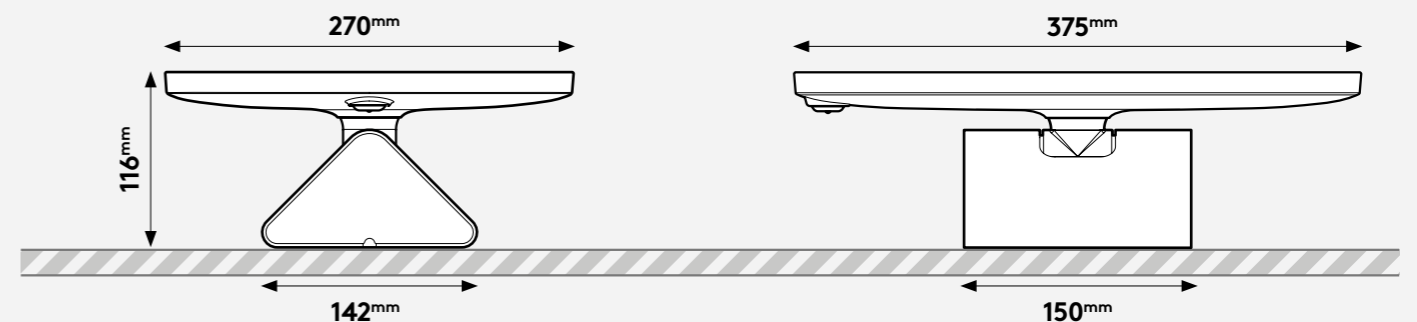
## MAXI CASE

SKU codes starting with: FLP



## MEGA CASE

SKU codes starting with: FLP



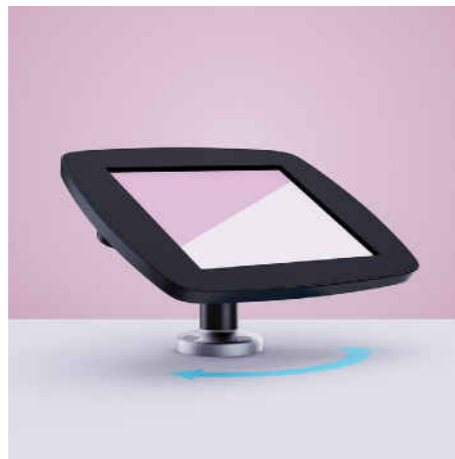
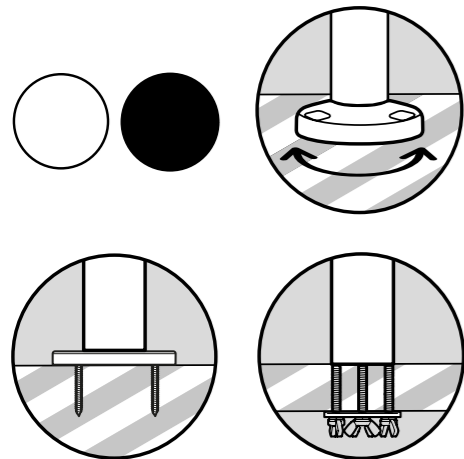
Click [here](#) to download the full SKU list.



# SWIVEL DESK

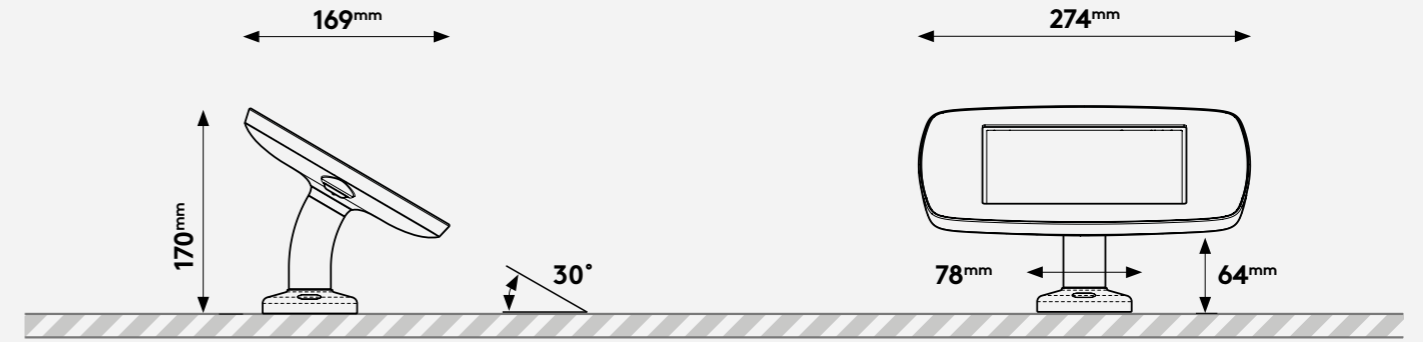
The Bouncepad Swivel Desk lies low on your surface and is positioned at the perfect angle for effortless interaction and smooth screen-sharing.

- Shortest stalk in the range
- Rotating Mounting Arm allows a smooth interaction between you and your customers
- POS capabilities
- Can be mounted in landscape or portrait
- Cables neatly stored inside to keep your device powered



## MINI CASE

SKU codes starting with: SD



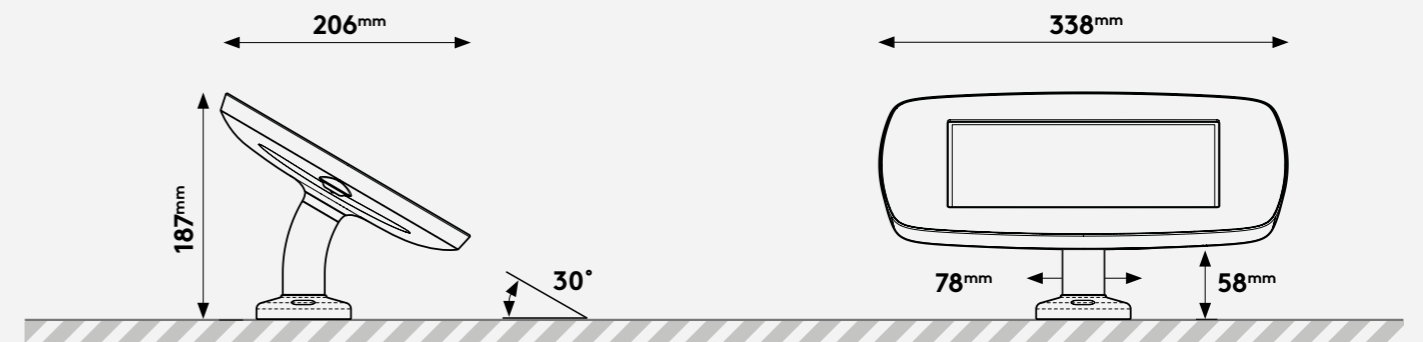
## MIDI CASE

SKU codes starting with: SD



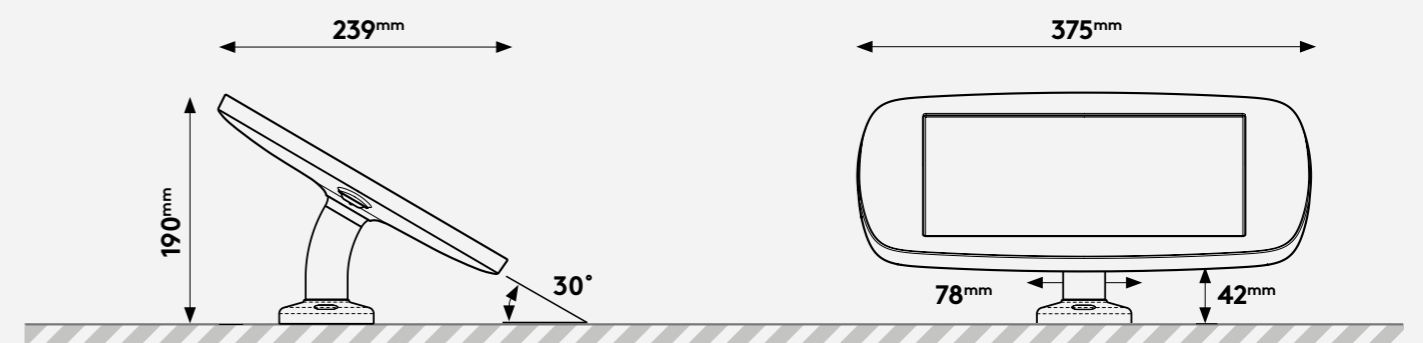
## MAXI CASE

SKU codes starting with: SD



## MEGA CASE

SKU codes starting with: SD

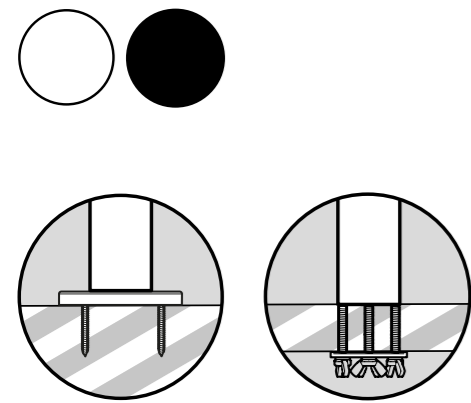
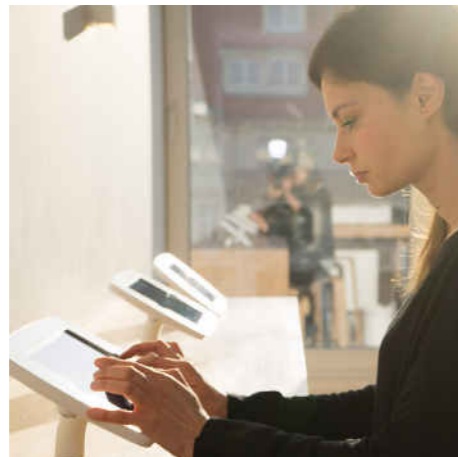


Click [here](#) to download the full SKU list.

# DESK

The Bouncepad Desk lies low on your surface and is positioned at the perfect angle for effortless interaction.

- Shortest stalk in the range
- Set at the perfect angle for interaction when fixed to your surface
- Simple and fuss-free installation
- Can be mounted landscape or portrait
- Cables neatly stored inside to keep your device powered minus the messy cabling

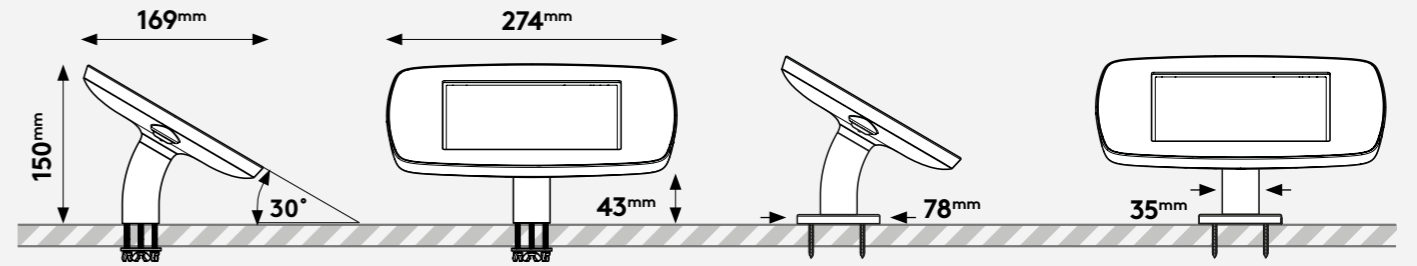


## MINI CASE

SKU codes starting with: DSK

Mounting:  
Fixing from Below

Mounting: 6mm taller if mounted from above  
Fixing from Above

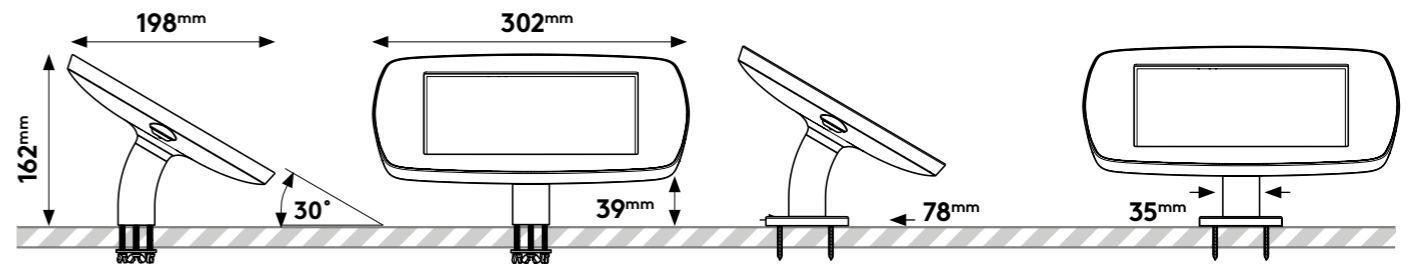


## MIDI CASE

SKU codes starting with: DSK

Mounting:  
Fixing from Below

Mounting: 6mm taller if mounted from above  
Fixing from Above

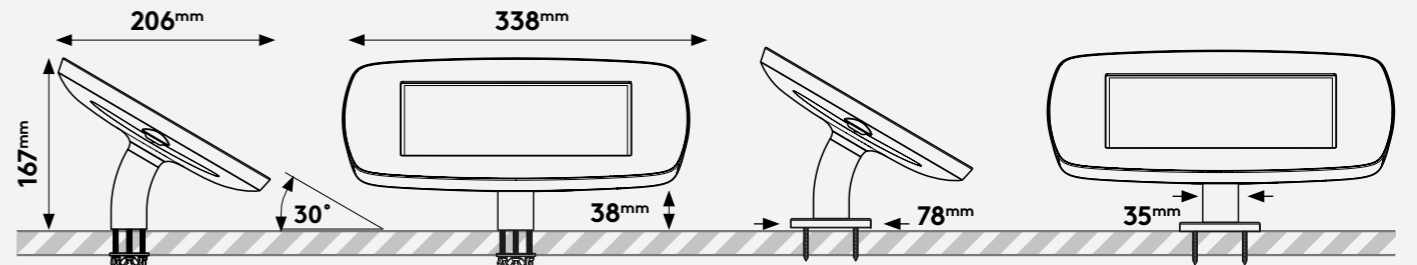


## MAXI CASE

SKU codes starting with: DSK

Mounting:  
Fixing from Below

Mounting: 6mm taller if mounted from above  
Fixing from Above

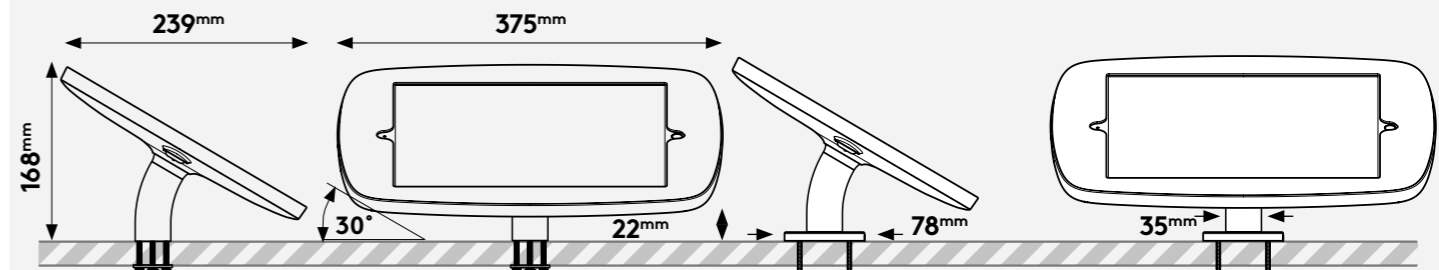


## MEGA CASE

SKU codes starting with: DSK

Mounting:  
Fixing from Below

Mounting: 6mm taller if mounted from above  
Fixing from Above

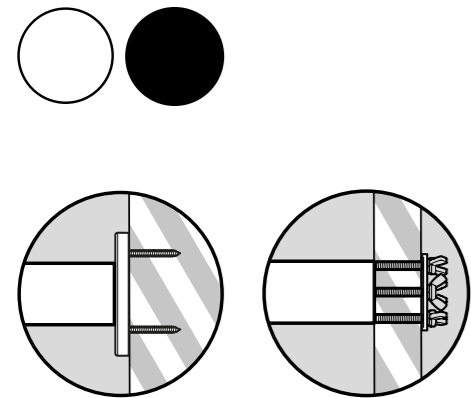
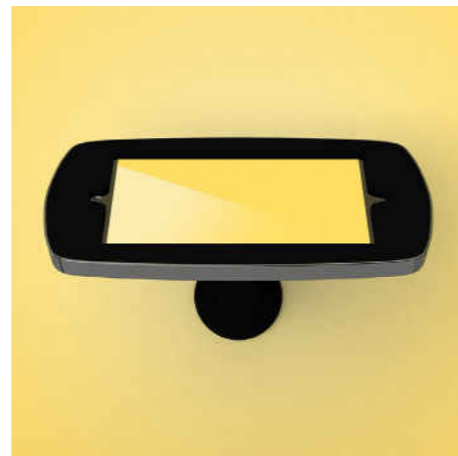


Click [here](#) to download the full SKU list.

# BRANCH

The Bouncepad Branch is the perfect solution in areas where floor space is valuable and you want your walls to do the talking.

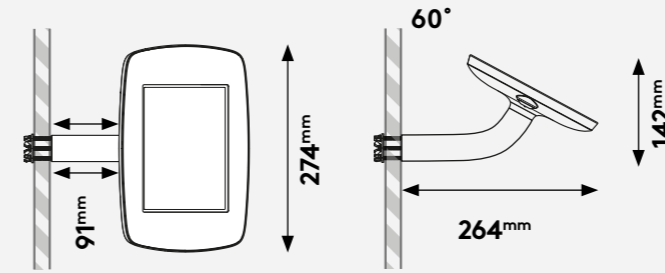
- Presents your content at a focused angle your customers just can't ignore
- Elegantly extends from vertical surfaces making the most of your space
- Simple and fuss-free Installation
- Cables neatly stored inside to keep your device powered minus the messy cabling
- Can be mounted in portrait or landscape depending on your content



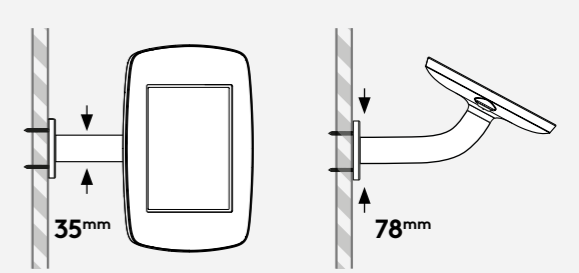
## MINI CASE

SKU codes starting with: BRA

Mounting:  
Fixing from Below



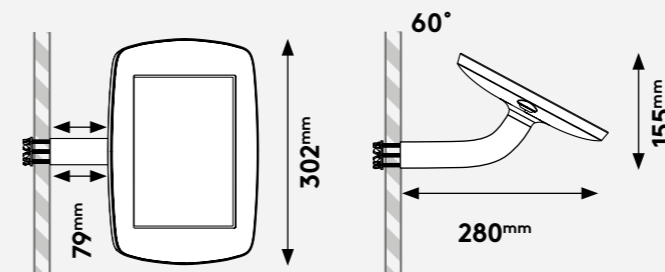
Mounting: 6mm taller if mounted from above  
Fixing from Above



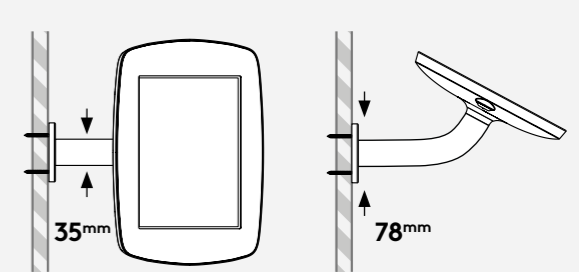
## MIDI CASE

SKU codes starting with: BRA

Mounting:  
Fixing from Below



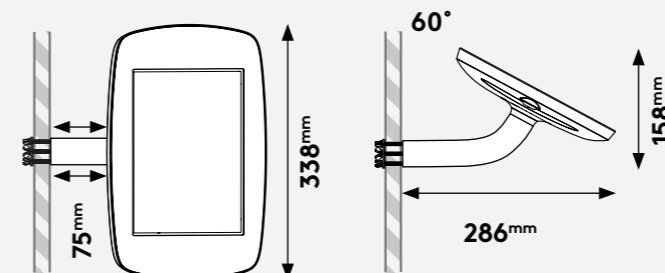
Mounting: 6mm taller if mounted from above  
Fixing from Above



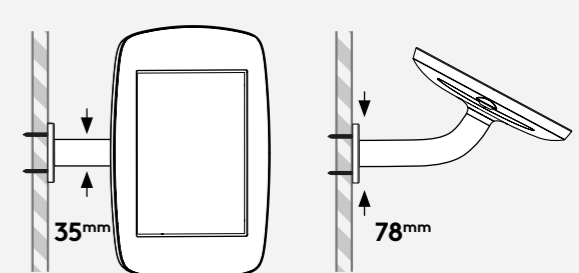
## MAXI CASE

SKU codes starting with: BRA

Mounting:  
Fixing from Below



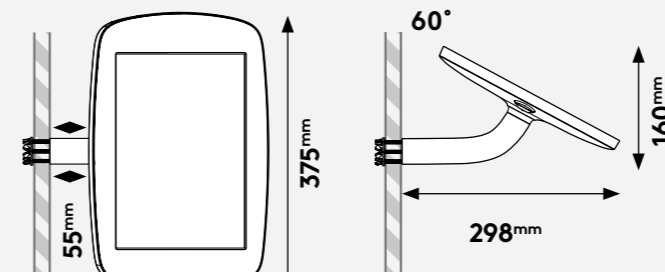
Mounting: 6mm taller if mounted from above  
Fixing from Above



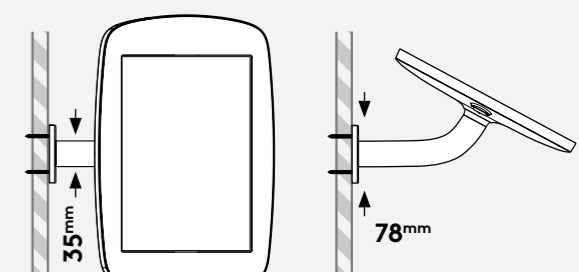
## MEGA CASE

SKU codes starting with: BRA

Mounting:  
Fixing from Below



Mounting: 6mm taller if mounted from above  
Fixing from Above



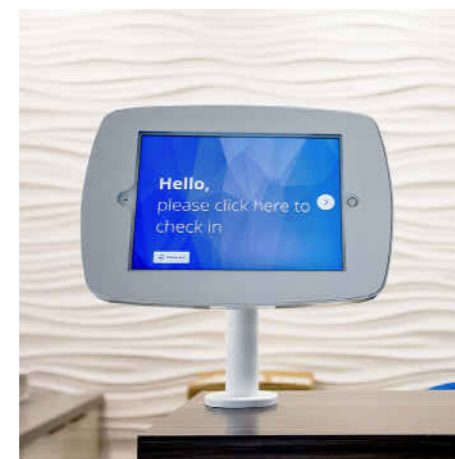
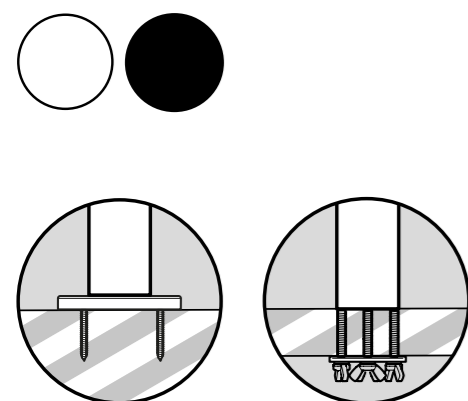
Click [here](#) to download the full SKU list.



# STATIC 60

The Bouncepad Static 60 acts as a powerful focal point for displaying bright content at a distance or on raised platforms.

- Encourages focused interaction
- Works perfectly for space saving digital signage applications
- Mount in an orderly row to create an iPad browsing bar
- Cables neatly stored inside to keep your device powered minus the messy cabling
- Can be mounted in portrait or landscape depending on your content

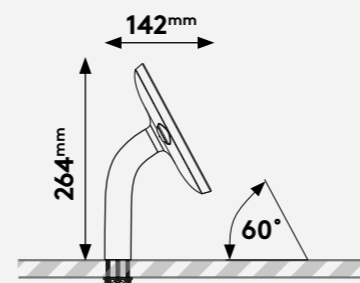


Click [here](#) to download the full SKU list.

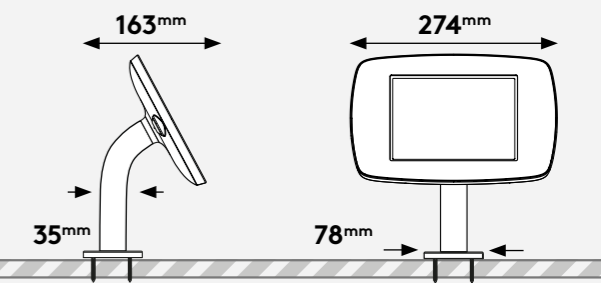
## MINI CASE

SKU codes starting with: S60

Mounting:  
Fixing from Below



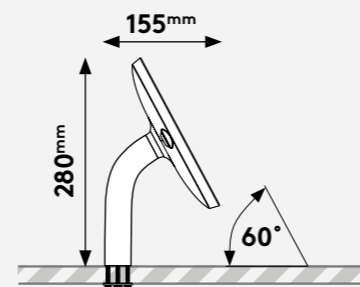
Mounting: 6mm taller if mounted from above  
Fixing from Above



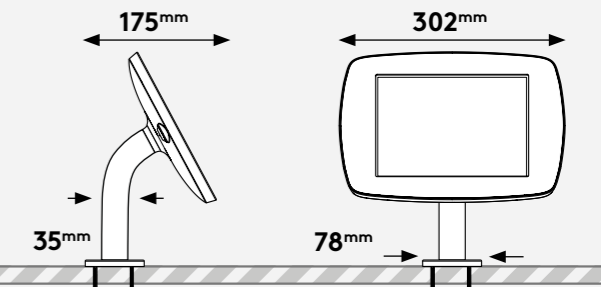
## MIDI CASE

SKU codes starting with: S60

Mounting:  
Fixing from Below



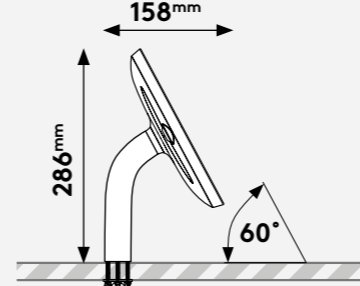
Mounting: 6mm taller if mounted from above  
Fixing from Above



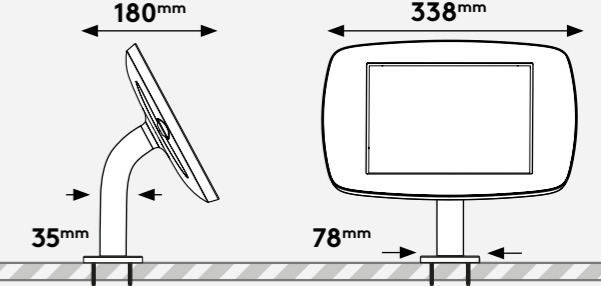
## MAXI CASE

SKU codes starting with: S60

Mounting:  
Fixing from Below



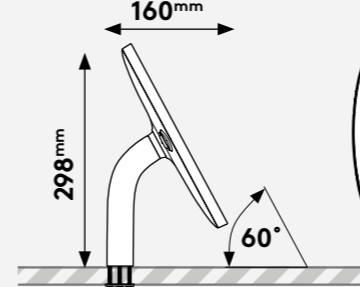
Mounting: 6mm taller if mounted from above  
Fixing from Above



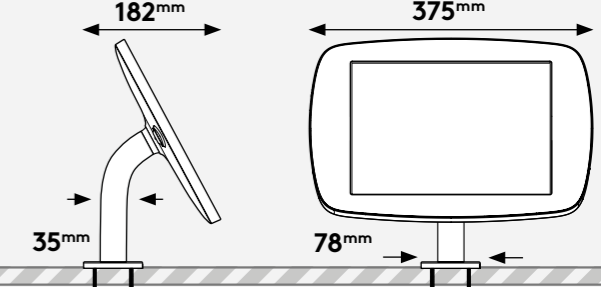
## MEGA CASE

SKU codes starting with: S60

Mounting:  
Fixing from Below



Mounting: 6mm taller if mounted from above  
Fixing from Above



# VESA

The Bouncepad VESA allows you to achieve a seamlessly flat tablet display, and is compatible with industry standard VESA mount systems.

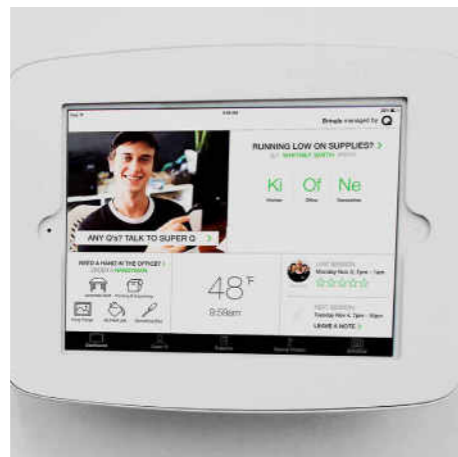
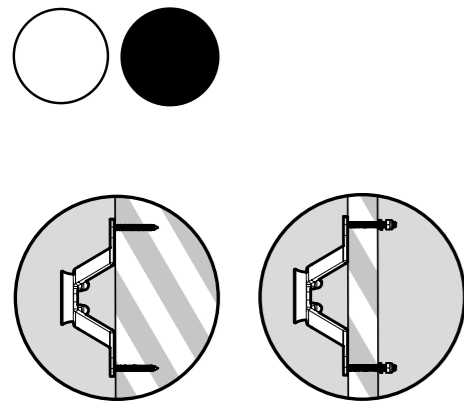
- Compatible with a wide range of commercially available 75mm and 100mm VESA articulating arms

- Perfect for eye-catching digital displays and highlighting important information to visitors

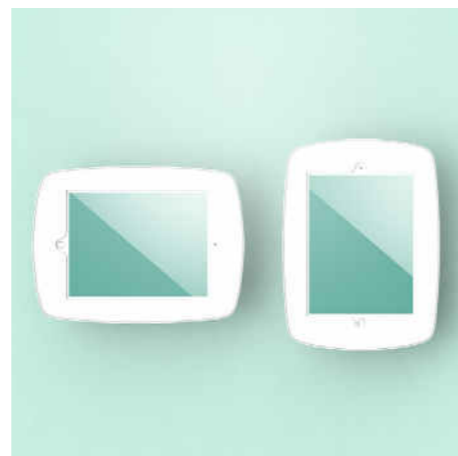
- Fixes your tablet flat against the wall

- Cables neatly stored inside to keep your device powered minus the messy cabling

- Can be mounted in portrait or landscape depending on your content

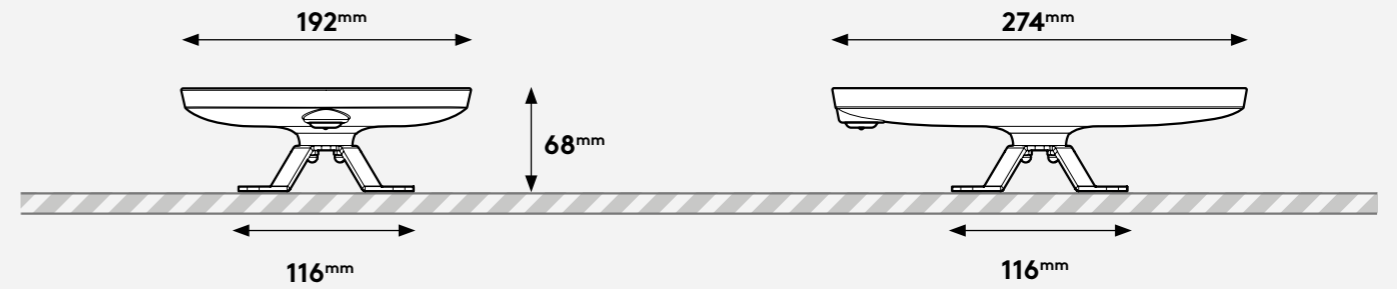


\*Arm not included.



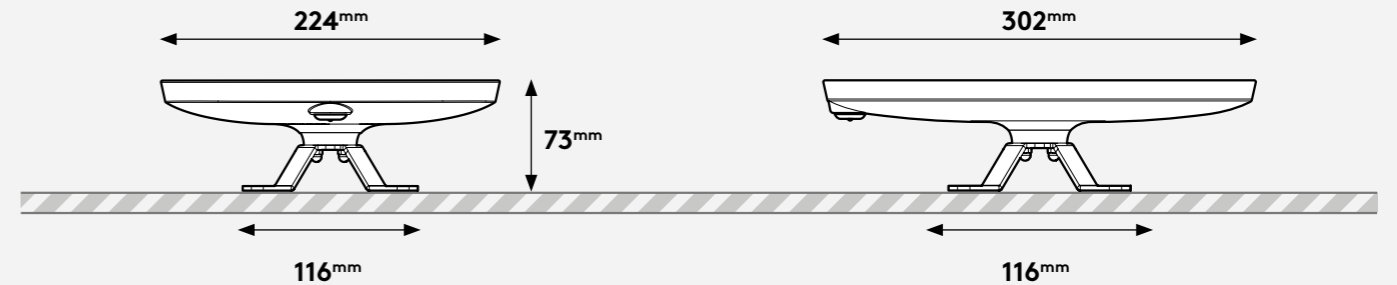
## MINI CASE

SKU codes starting with: VA2



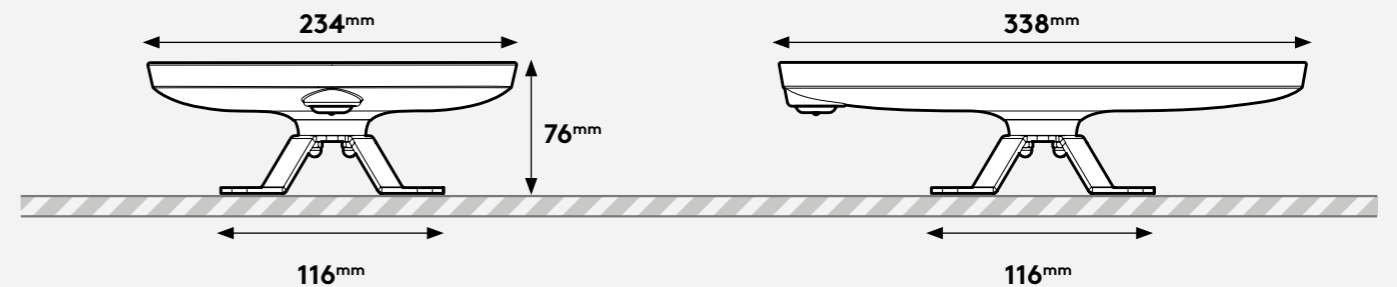
## MIDI CASE

SKU codes starting with: VA2



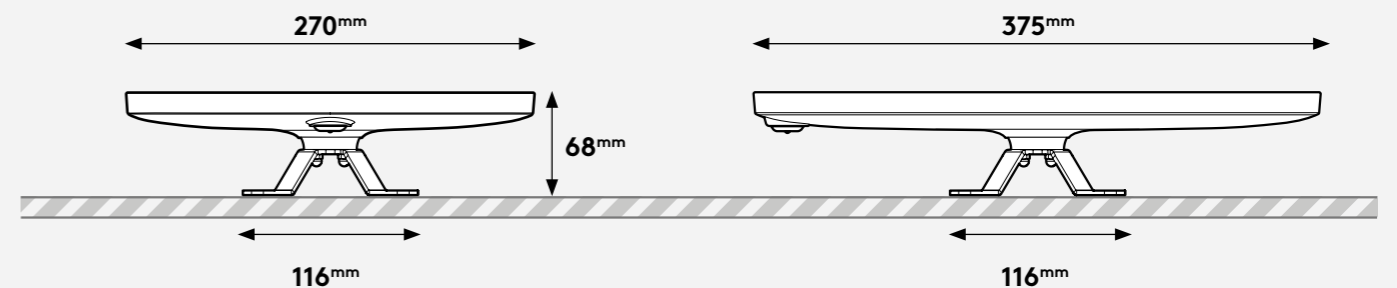
## MAXI CASE

SKU codes starting with: VA2



## MEGA CASE

SKU codes starting with: VA2

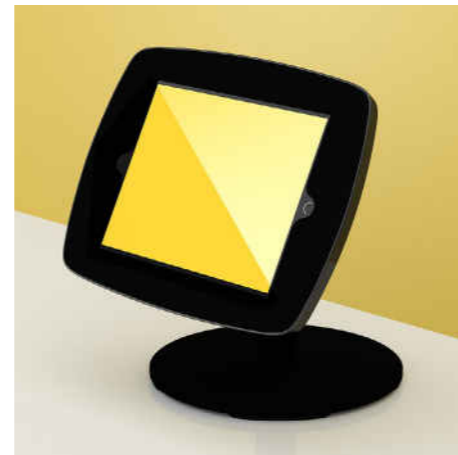
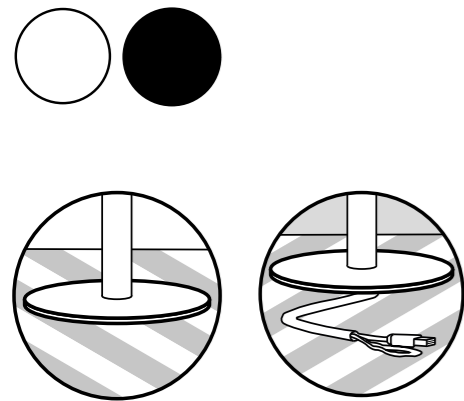


Click [here](#) to download the full SKU list.

# COUNTER 60

The Bouncepad Counter 60 is designed to protect and secure the tablet whilst standing at the perfect angle for ergonomic interaction.

- Base makes it simple to move around on the countertop
- Encourages focused interaction
- Provides robust stability without the permanent fixing
- Can be tethered with one of our reinforced cables for extra security
- Mount in portrait or landscape depending on your content



## MINI CASE

SKU codes starting with: C6



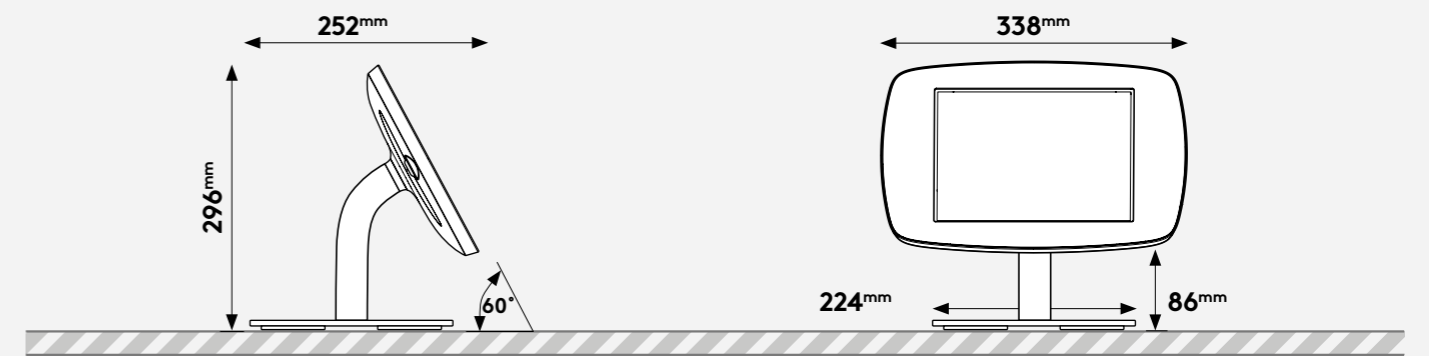
## MIDI CASE

SKU codes starting with: C6



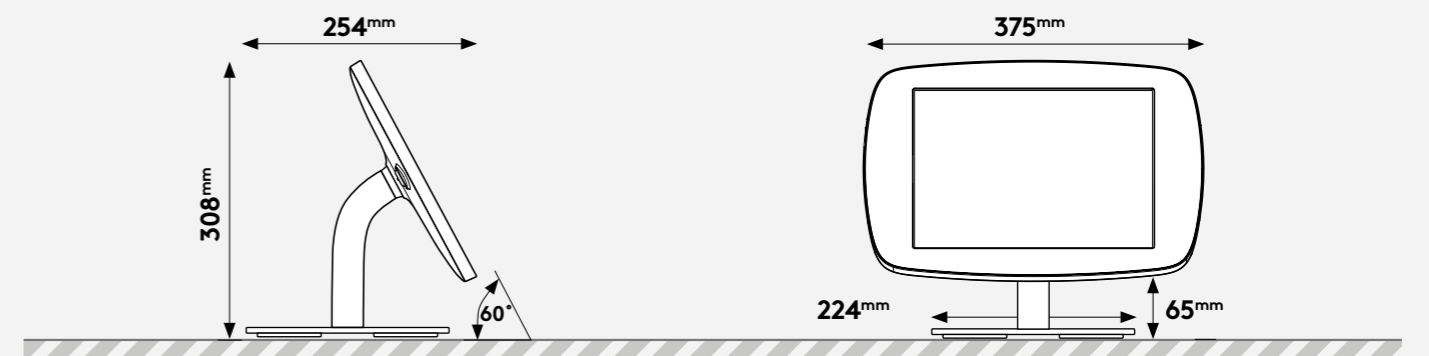
## MAXI CASE

SKU codes starting with: C6



## MEGA CASE

SKU codes starting with: C6



Click [here](#) to download the full SKU list.



# COUNTER FLEX

The Bouncepad Counter Flex is designed to protect and secure the tablet whilst offering a full range of movement for ergonomic interaction.

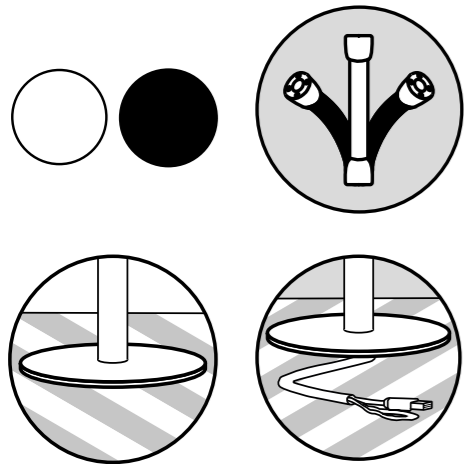
- Freestanding base makes it simple to move around on the countertop

- Provides robust stability without the permanent fixing

- Gymnastic movement allows for maximum interaction without compromising on comfort or security

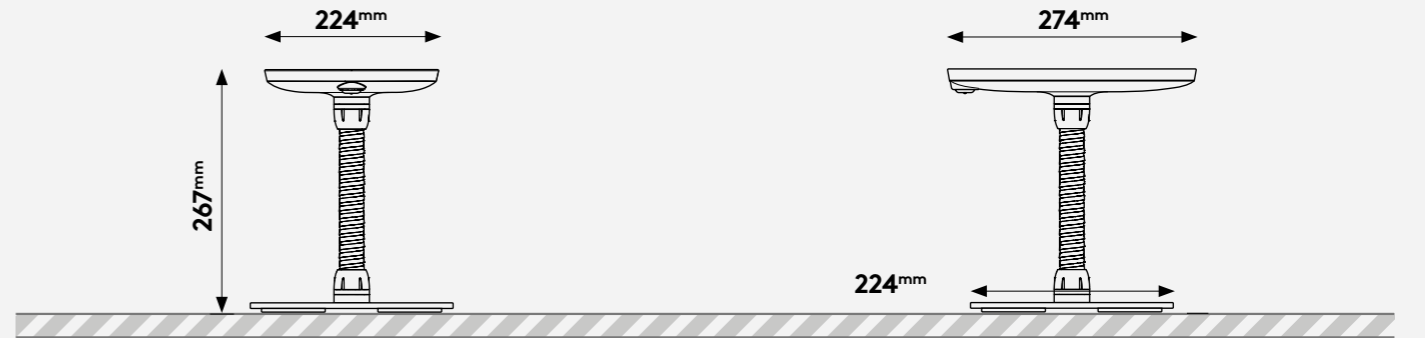
- The mounting arm is made of tough metal alloys once flexed into position the case stays put

- Can be tethered with one of our reinforced cables for extra security



## MINI CASE

SKU codes starting with: CF



## MIDI CASE

SKU codes starting with: CF



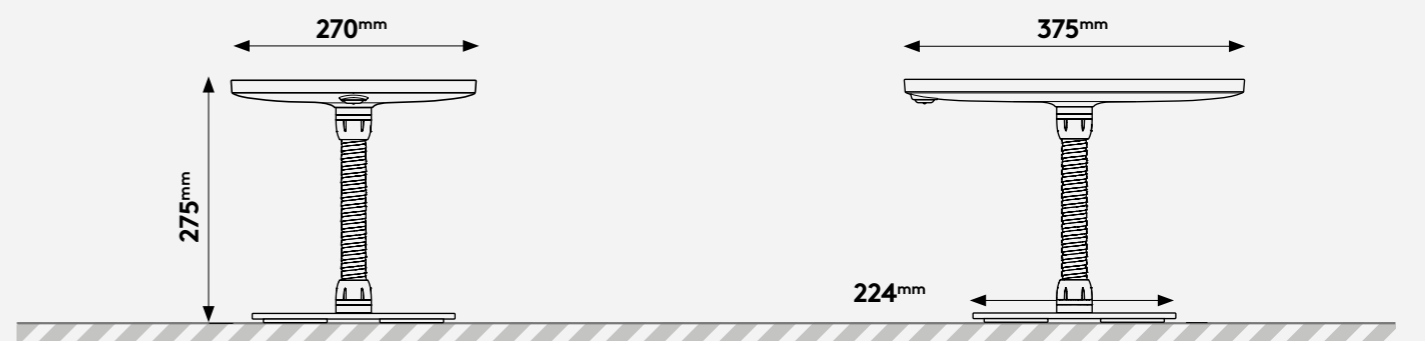
## MAXI CASE

SKU codes starting with: CF



## MEGA CASE

SKU codes starting with: CF



Click [here](#) to download the full SKU list.

# FLOORSTANDING SLIM

The compact footprint of the Floorstanding Slim makes it ideal for fixed installations where space matters as much as style.

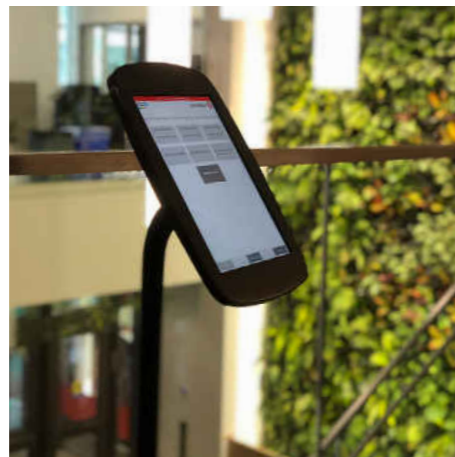
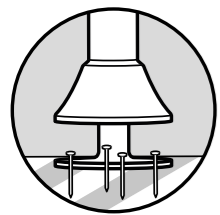
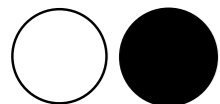
- Streamlined base designed for permanent installation

- Perfect for presenting your website and apps seamlessly in a variety of public environments

- At 110 cm high it's the perfect size for use at standing height

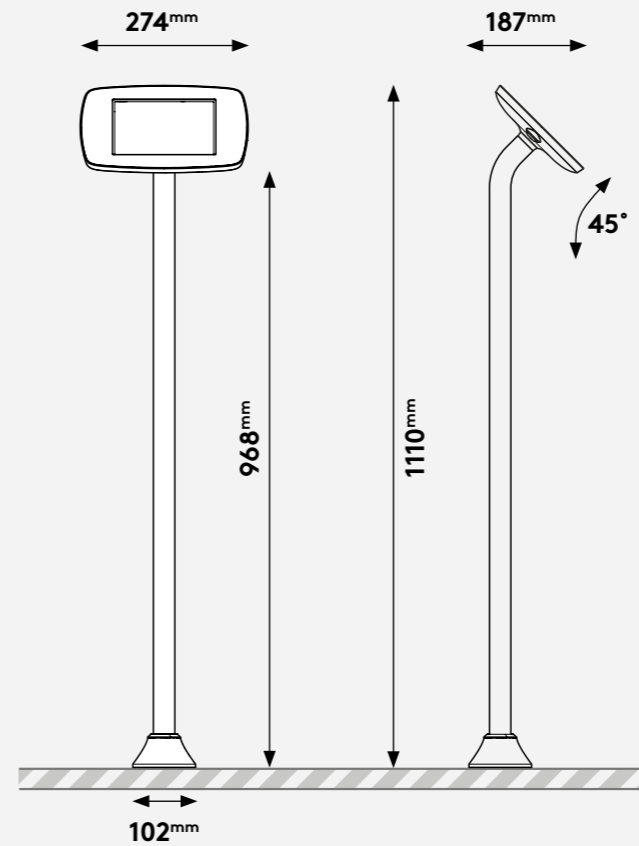
- Cable runs through the length of the pole keeping your display presentable

- Can be mounted in portrait or landscape depending on your content



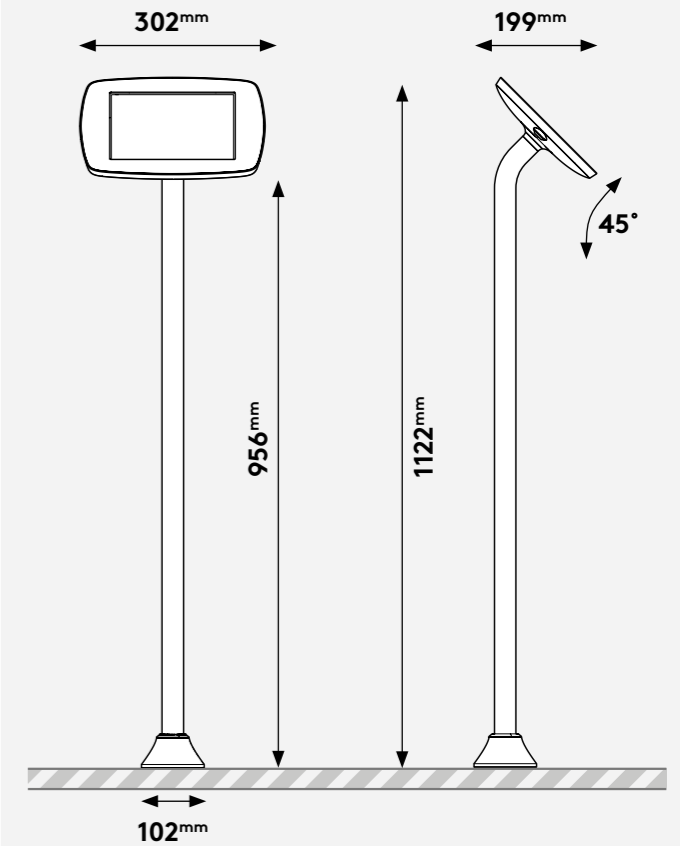
## MINI CASE

SKU codes starting with: FSS



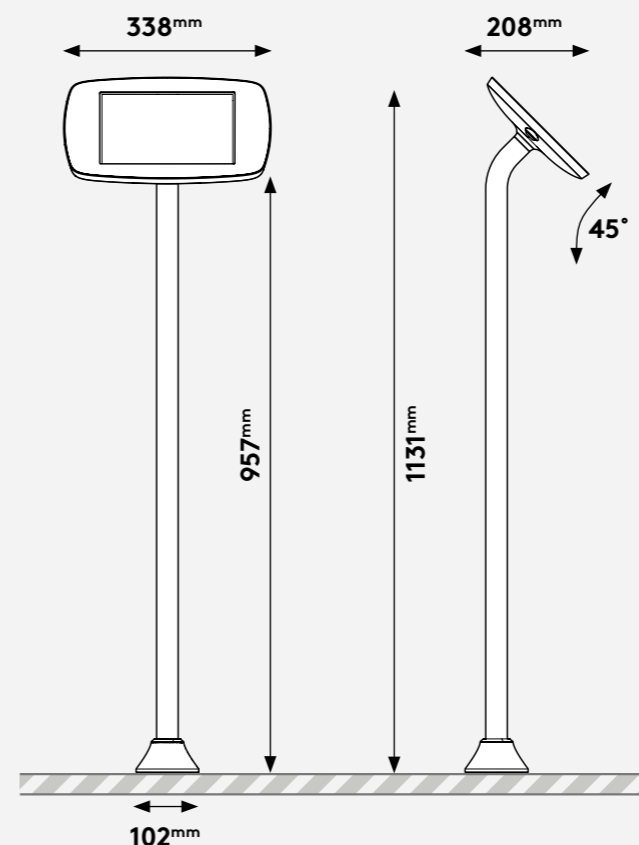
## MIDI CASE

SKU codes starting with: FSS



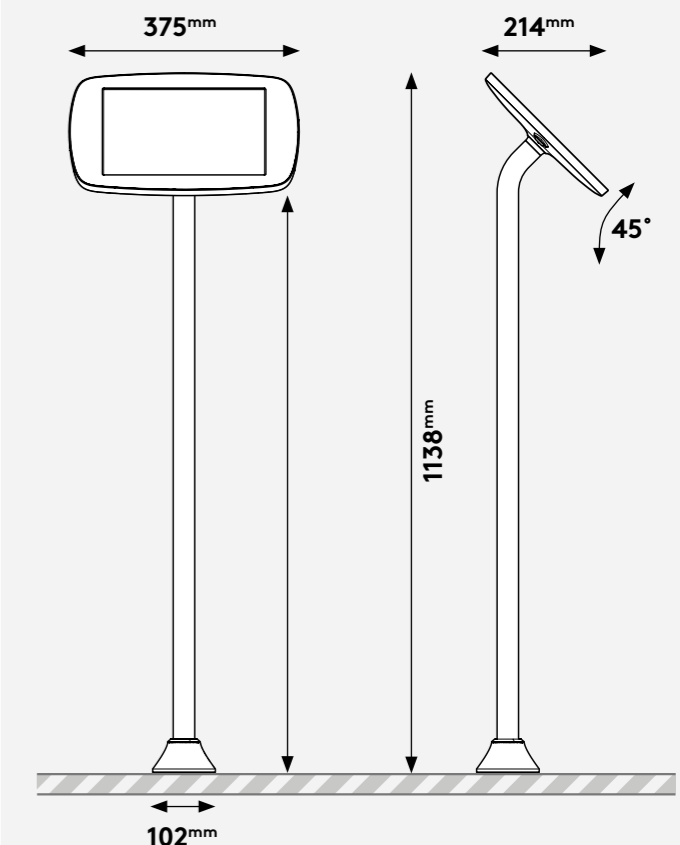
## MAXI CASE

SKU codes starting with: FSS



## MEGA CASE

SKU codes starting with: FSS



Click [here](#) to download the full SKU list.

# FLOORSTANDING WITH BROTHER PRINTER MOUNT®

The elegant Bouncepad Floorstanding with Brother® Printer Mount commands attention, the ultimate standalone tablet display with a label printer mount for the Brother QL-820-NWB.

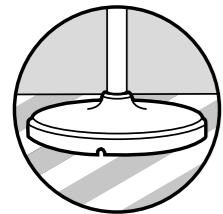
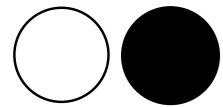
-Weighted base prevents tipping but can be fixed to the floor for extra robustness

-At 114cm high it's the perfect size for standing users

-Holds Brother Label Printer QL-820WNB manages the printer cable and catches the label

-Cables neatly stored inside to keep your tablet and label printer powered minus the messy cabling

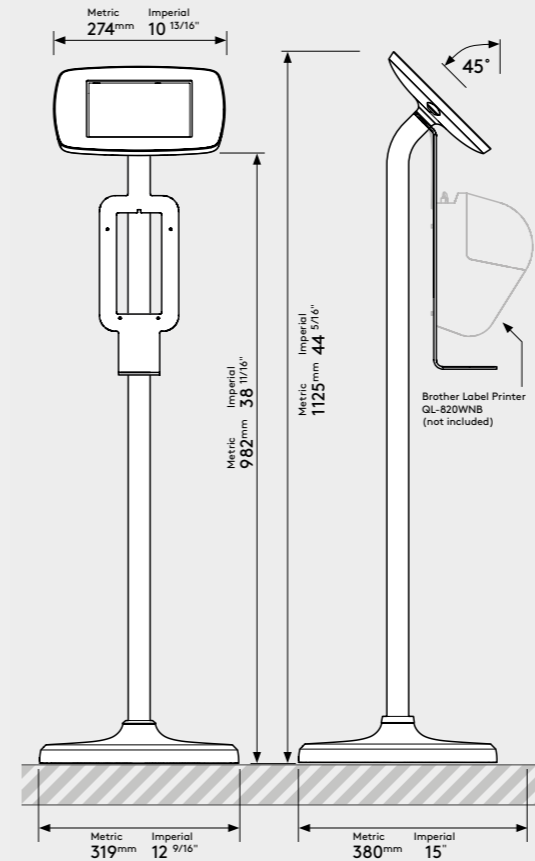
-Simple installation for temporary and permanent use cases



Click [here](#) to download the full SKU list.

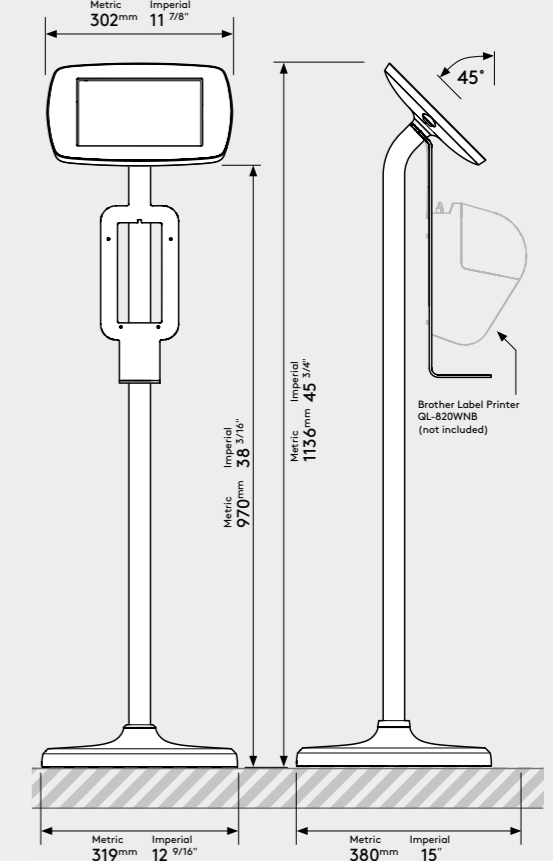
## MINI CASE

SKU codes starting with: FBR



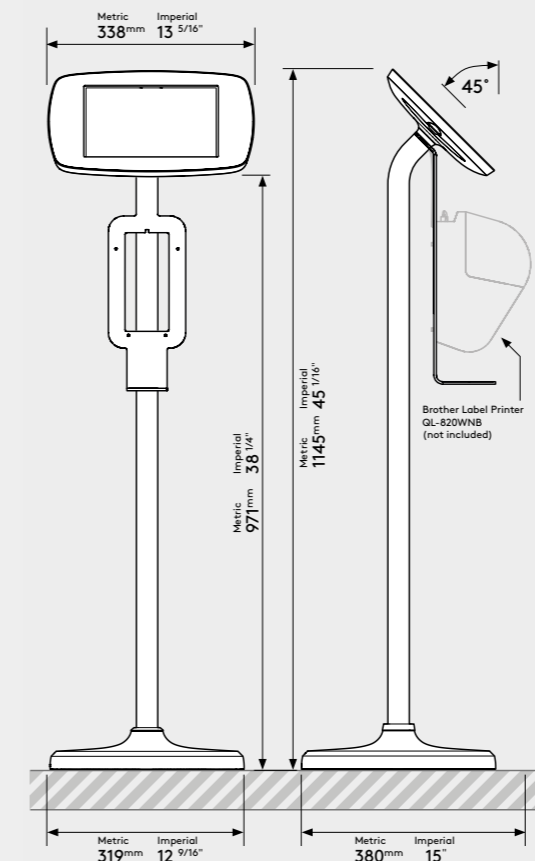
## MIDI CASE

SKU codes starting with: FBR



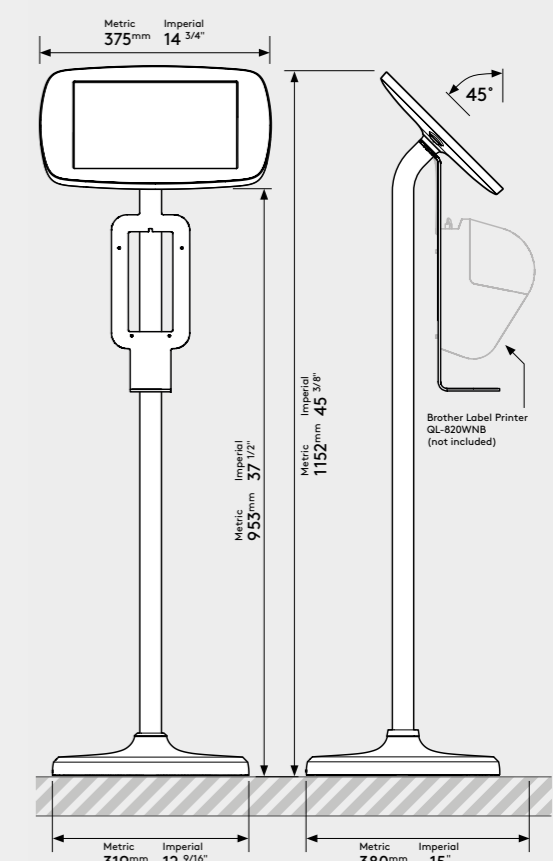
## MAXI CASE

SKU codes starting with: FBR



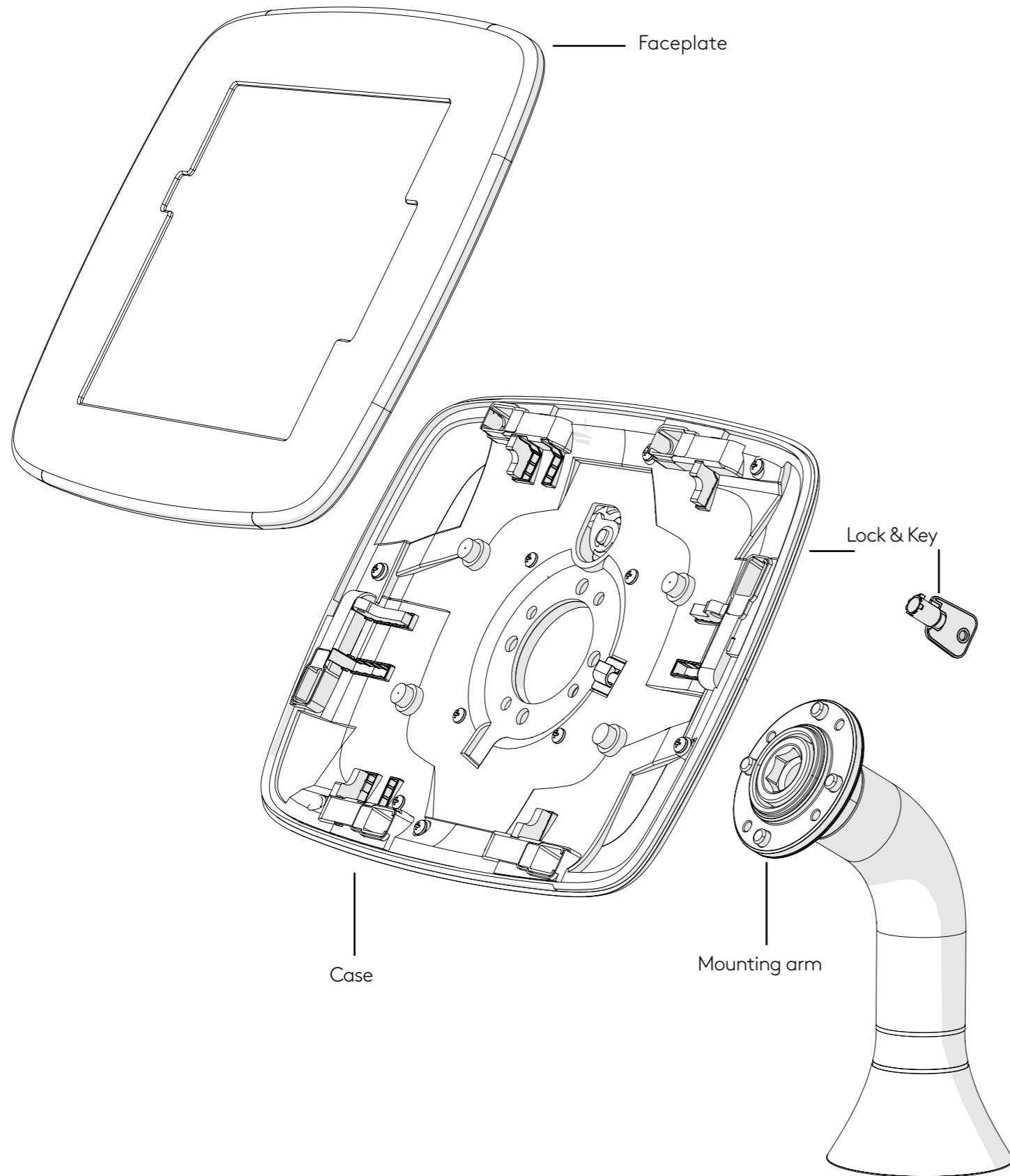
## MEGA CASE

SKU codes starting with: FBR





# WHAT MAKES A SUMO?



# SUMO

The strong yet beautiful tablet enclosure for high-traffic environments including quick service restaurants, malls, play areas and airports.

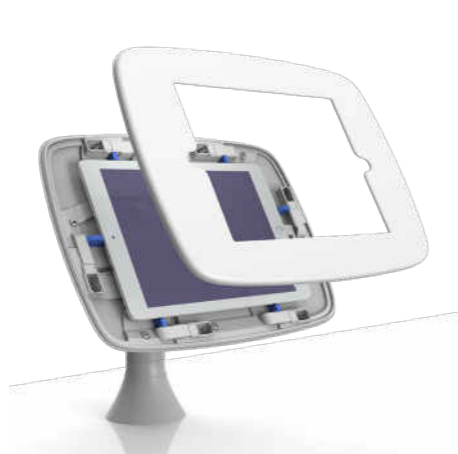
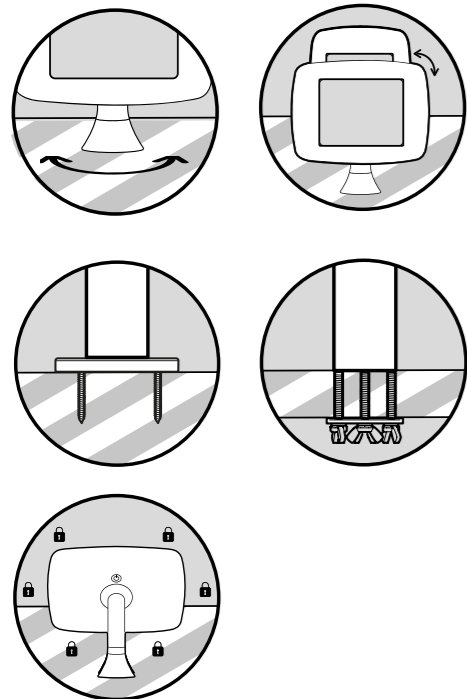
-Durability in the most challenging environments maximising uptime and minimising call-outs

-Six Point Locking System ensures ultimate theft resistance

-Rotating mount allows users to play games, switch between apps and share the screen

-Faceplate design is easy to wipe clean and minimises gaps to prevent grime getting trapped inside

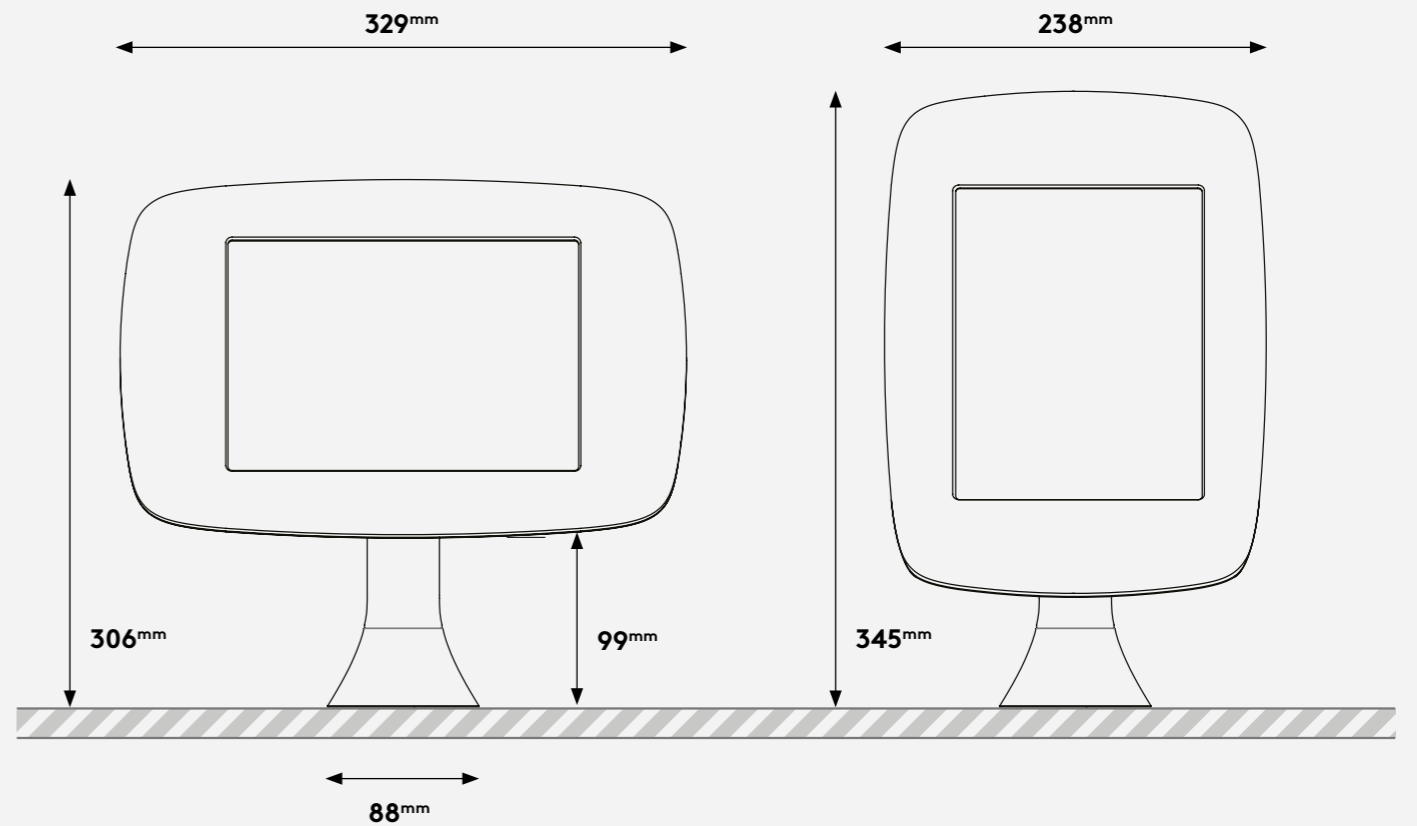
-Screen seamlessly switches between portrait and landscape



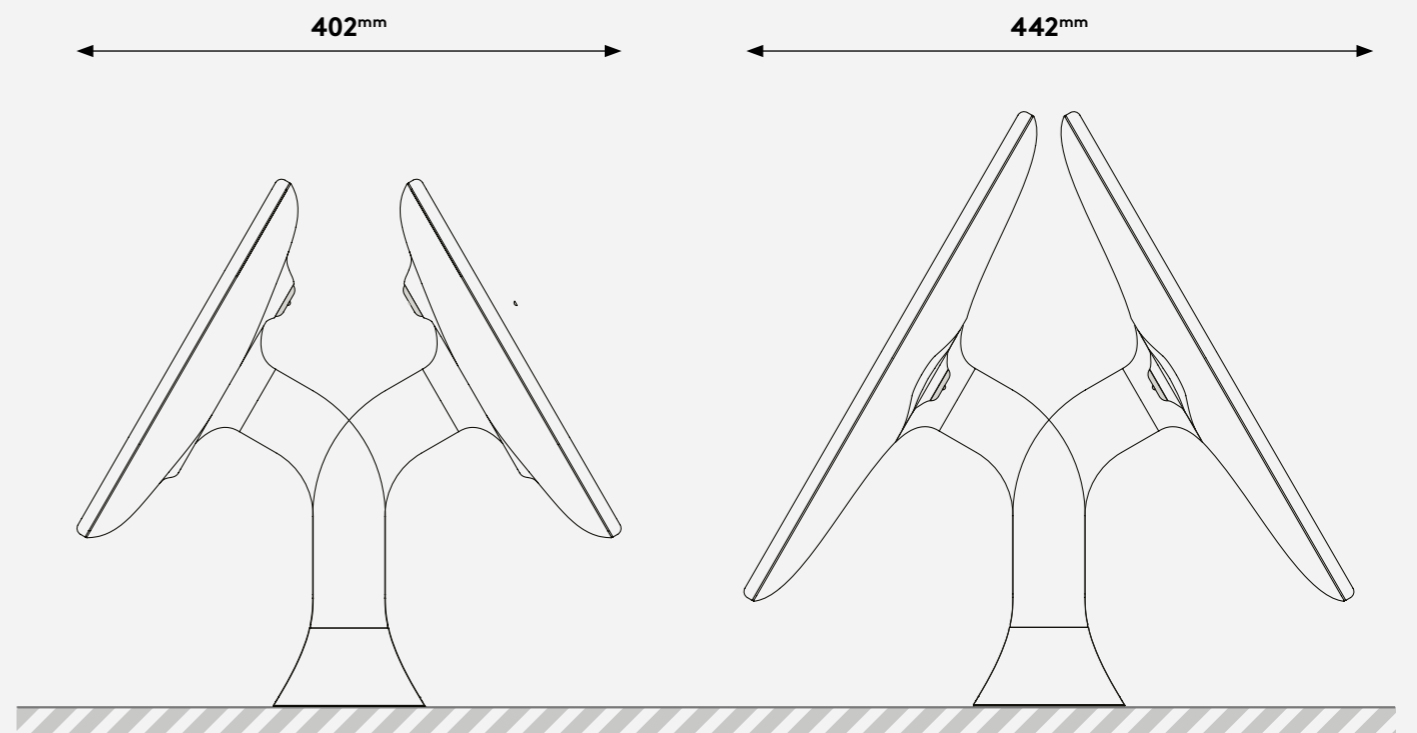
Click [here](#) to download the full SKU list.

## SUMO DIMENSIONS

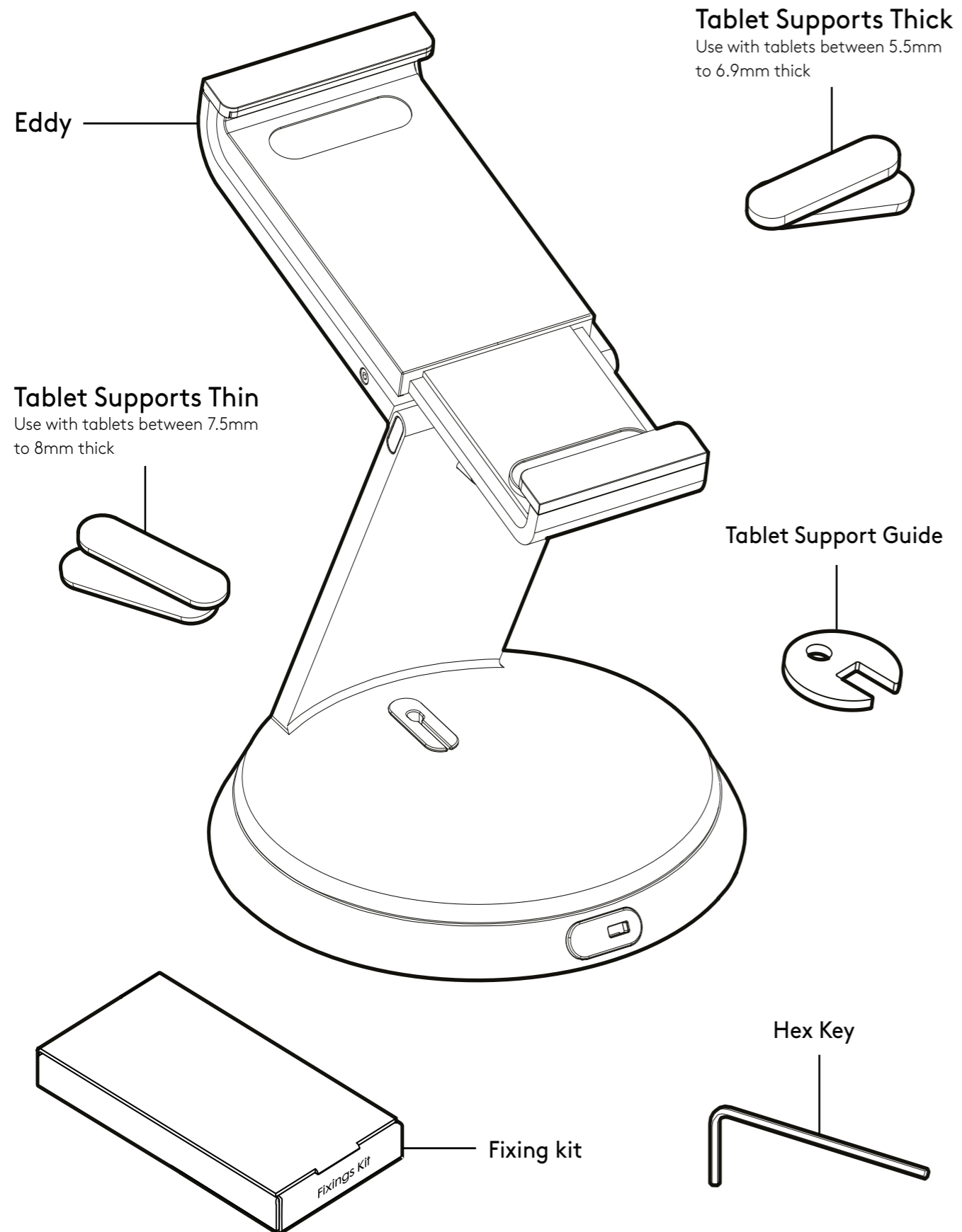
SKU codes starting with: SM



8



# WHAT MAKES AN EDDY





# EDDY

Eddy is our premium stand for style-conscious customers. The rotating base and tilting feature make it perfect for a range of users and counter heights.

-- Tablet agnostic so your stand can last generations

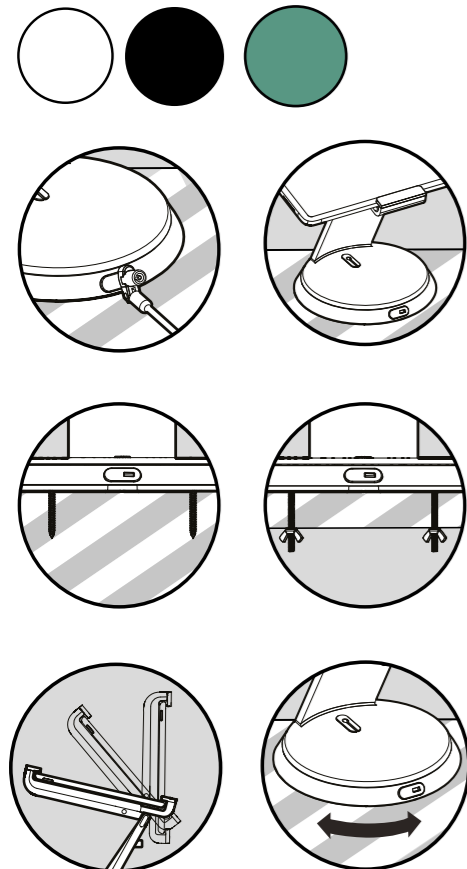
- Freestanding base makes it simple to move around the countertop

- A rotating base and tilt function for easy screen-sharing

- Fuss-free cable management helps to keep your counter tidy and your wires in check

- Offers multiple security options to suit a range of needs and is compatible with a Kensington MicroSaver lock

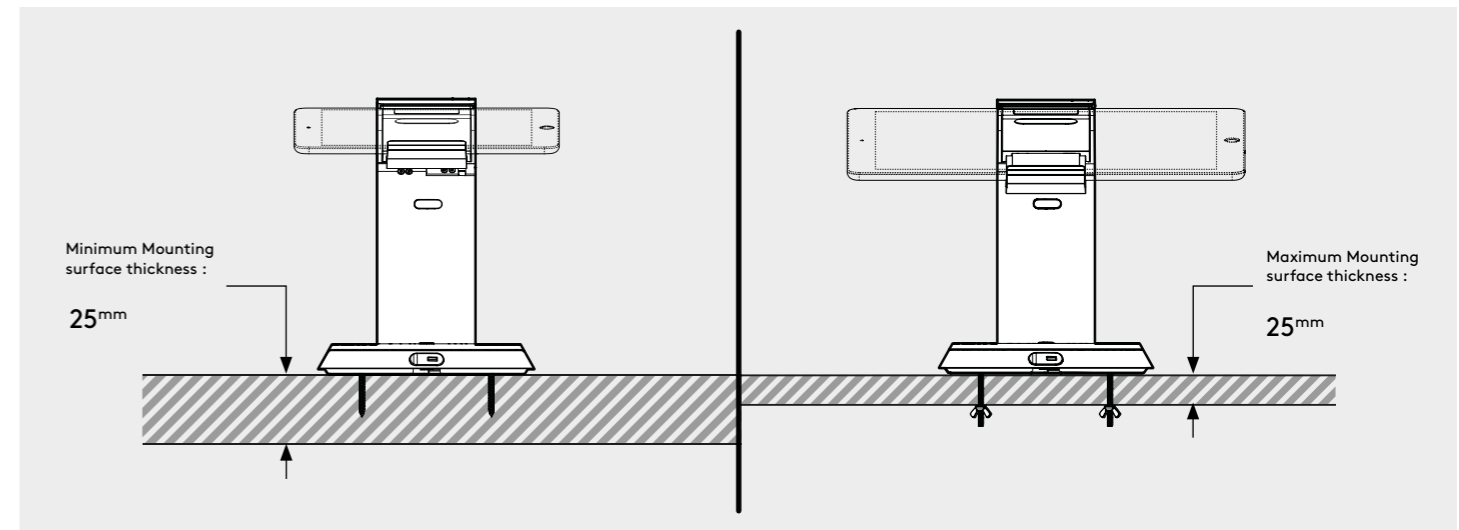
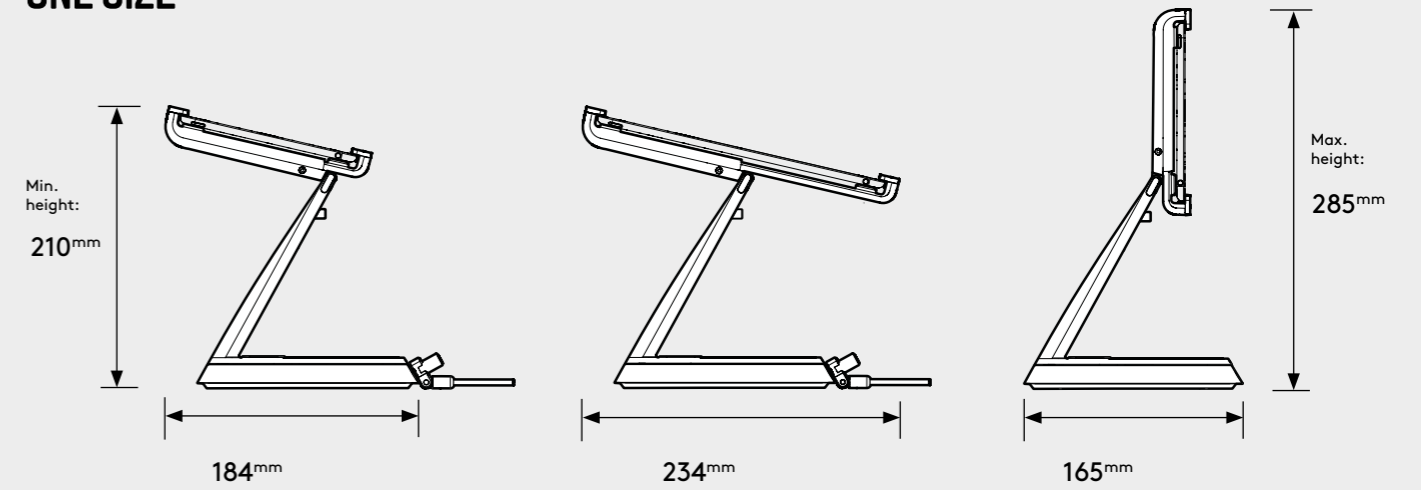
- Securely locks tablet in position



Click [here](#) to download the full SKU list.



## ONE SIZE



# ADD-ONS

**Our accessories help you to customize your Bouncepads, so they cater to all your needs. From rotating mounts to branding boards and lightening cables, our Extras help to fine-tune your Bouncepad specifically to you. Only available with our Original Range products.**

## Audio Port

Looking for a more all-round experience for your customers? Connect headphones or speakers by having your Bouncepad configured to give access to your tablet's Audio Port.



**Audio Port is compatible with all Bouncepad Original Range products but not available for all tablets. See product SKU list for full details.**

SKU codes starting with AUD

## Rear Camera Exposure

Exercise full functionality of your tablet and unlock potential for a better customer experience by having your Bouncepad configured to give access to your tablet's rear facing camera.



**Rear Camera Exposure is compatible with all Bouncepad Original Range products but not available for all tablets. See product SKU list for full details.**

SKU codes starting with RFC

## Pinhole Power

This add-on enables you to access your tablets power button with ease, enabling you to switch it on and off freely.



**Compatible with all Bouncepad Original Range products.**

SKU: PHP/1

## Tilt Adaptor

For extra versatility add the Tilt Adaptor to your Bouncepad enclosure. This enables you to adjust the viewing angle through 36°; 18° above and below the centre point. Your enclosure will tilt and stay put where it's left.



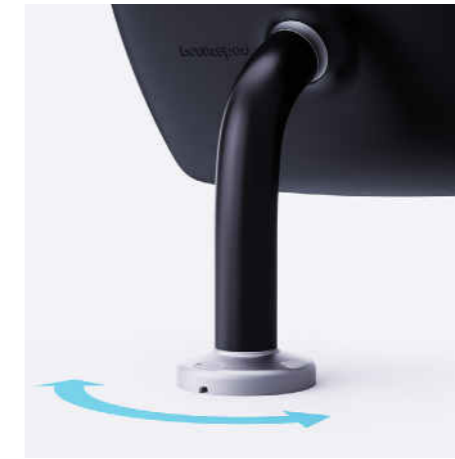
**The Tilt Adaptor is compatible with the following products:**

Branch Counter	Floorstanding Slim Static 60
Counter 60	Vesa
Desk Floorstanding	Wallmount

SKU: EXT-TLT-B and EXT-TLT-W

## Swivel

For effortless interaction and smooth screen-sharing add the Swivel adapter to your Bouncepad. This add-on allows the Mounting Arm to rotate 270° as standard or with a 90° and 180° configurable option.



**Compatible with the following Bouncepad products:**

Desk Static 60  
SKU: PP-CRO

This add-on can be purchased separately.

## Faceplate Branding

Make your Bouncepad truly unique by branding it with your logo, product names or graphics.



Adobe Illustrator template is available on request. We do not provide any artwork services. With these extras, delivery time of your order will be changed to 5-10 working days from confirmation of your artwork.

**Compatible with all Bouncepad Original Range products.**

SKU: BFP-FG

**These adds are a modification of our standard product and must be purchased alongside a full product.**

### Front Branding Board

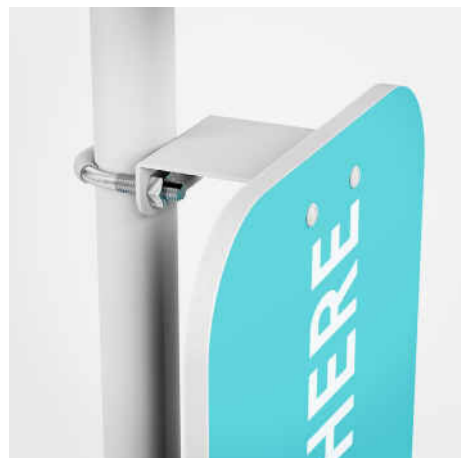
Give customers a visual cue with a boldly designed Branding Board that will ensure your Bouncepad Floorstanding gets noticed

(Floorstanding not included).

**Compatible with the Floorstanding and Floorstanding Slim products.**

SKU: EXT-BFB2-B and EXT-BFB2-W

Adobe Illustrator template is available on request. We do not provide any artwork services. With these extras, delivery time of your order will be changed to 5-10 working days from confirmation of your artwork.



### Placard Branding Board

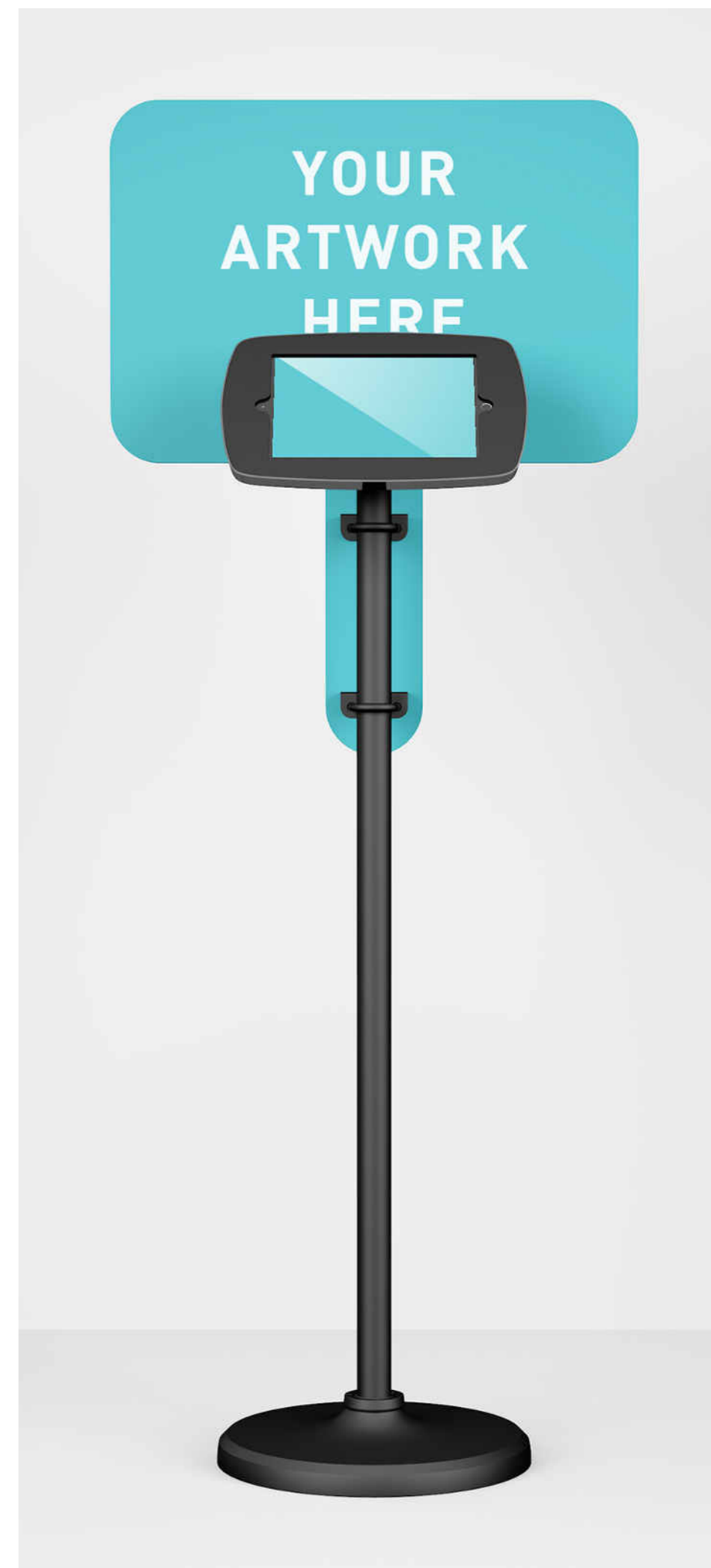
Give customers a visual cue with a boldly designed Branding Board that will ensure your Bouncepad Floorstanding gets noticed

(Floorstanding not included).

**Compatible with the Floorstanding and Floorstanding Slim products.**

SKU: EXT-BPB2-B and EXT-BPB2-W

Adobe Illustrator template is available on request. We do not provide any artwork services. With these extras, delivery time of your order will be changed to 5-10 working days from confirmation of your artwork.





### Reinforced MFI-Approved 2M Lightning Cable

The reinforced 2m charging cable makes sure your tablets are secured, tethered and always charging. The cable is enclosed with a steel rope inside a nylon mesh which secures inside the Bouncepad case. Great for portability, simply tether to a bracket and lock into place near the power source for use in a versatile range of environments.

#### Compatible with the following products:

Counter Counter 60 Counter Flex Flip



Compatible with tablets using a lightning port for charging.

SKU: CB-RF-LIGHT-B and CB-RF-LIGHT-W

### Reinforced 2M Micro-USB Cable

The reinforced 2m charging cable makes sure your tablets are secured, tethered and always charging. The cable is enclosed with a steel rope inside a nylon mesh which secures inside the Bouncepad case. Great for portability, simply tether to a bracket and lock into place near the power source for use in a versatile range of environments.

#### Compatible with the following products:

Counter Counter 60 Counter Flex Flip



Compatible with tablets that use a micro USB port for charging.

SKU: CB-RF-MICRO-B and CB-RF-MICRO-W

# USB SYNC & CHARGE CABLES

### Micro USB to USB-A Cable

The 2m right-angled micro-USB cable has been specifically designed for optimum fit inside Bouncepad cases.

Compatible with all Bouncepad products.



Compatible with tablets that use a micro USB port for charging.

SKU: BP/CE/BMU/001

### MFi-Approved 2M Lightning to USB-A Cable

The MFi-approved 2m right-angled lightning cable has been specifically designed for optimum fit inside Bouncepad cases.

Compatible with all Bouncepad products.



Compatible with tablets using a lightning port for charging.

SKU: BP/CE/BPC/201

## **Bouncepad**

customerservice@bouncepad.com Product expertise, quotes and returns

accounts@bouncepad.com

Invoice and payment queries

orders@bouncepad.com

Product ordering and order queries

Phone:

**+44 (0) 20 3693 0000**

**bouncepad.com**

Bouncepad UK distribution partner



**WESTCOAST**